

# FIRE FIGHTING VALVE ANGLE BRONZE FLANGED DIN PN 16

Материал bronze CC491K; DIN RG5

Налягане PN 16

Размер DN40-65

## DESCRIPTION

Fire hydrant valve angled type is used in fresh water and sea water systems for multiturn operation, to be fitted with fire coupling for connecting fire hose. Angled type with bolted bonnet. Soft disc sealing.

### Media

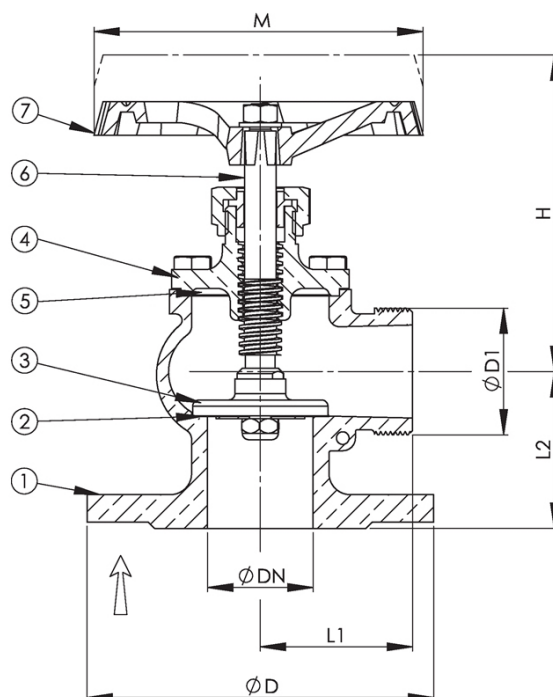
- Sea water
- Fresh water

### APPLICATION

- For fire fighting systems. Max. temperature 80°C.

### CONNECTION

Standard hose coupling STORZ



No.	Part	Material
1	Body	Bronze CC491K (RG5)
2	Disc ring	NBR
3	Disc	Special brass CW710R (SoMs59)
4	Bonnet	Bronze CC491K (RG5)
5	Gasket	NBR bonded aramid
6	Stem	Special brass CW710R (SoMs59)
7	Handwheel	Bronze CC491K (RG5)

Specifications	
Standart:	DIN
Execution:	Angle 90°
Connection type:	Flanged
Operation:	Manual / Handwheel
Actuation:	Multiturn
Tmax:	NBR seat max 80°C / EPDM seat 110°C

**FIRE FIGHTING VALVE ANGLE BRONZE  
FLANGED DIN PN 16**

Материал bronze CC491K; DIN RG5

Налягане PN 16

Размер DN40-65

<b>Dn</b>	<b>Pressure rating</b>	<b>Connection</b>	<b>D</b>	<b>D1</b>	<b>L1</b>	<b>L2</b>	<b>H</b>	<b>M</b>	<b>Weight (kg)</b>
40	16	PN 16	150	G 1 1/2"	65	70	150	140	4.3
50	16	PN 16	165	G 2"	73	75	150	140	5.3
65	16	PN 16	185	G 2 1/2"	95	90	165	160	9.5