

FIRE FIGHTING VALVE STRAIGHT BRONZE DIN WITH "STORZ" CONNECTION, PN 16

Материал bronze CC491K; DIN RG5

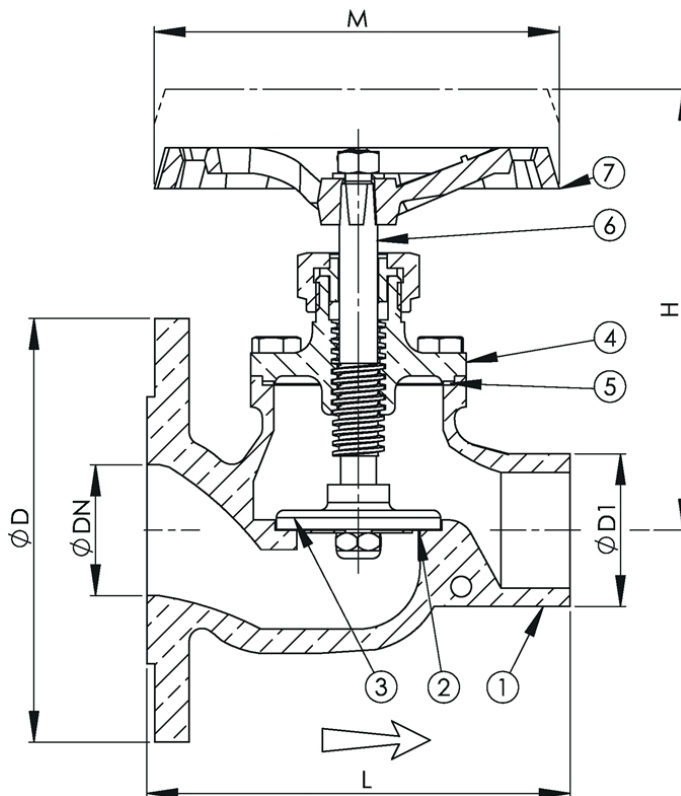
Налягане PN 16

Размер DN-40-65

Media
Sea water and fresh water

APPLICATION

For fire fighting systems. Max. temperature 80°C.



| No. | Part | Material |
|-----|-----------|-------------------------------|
| 1 | Body | Bronze CC491K (RG5) |
| 2 | Disc ring | NBR |
| 3 | Disc | Special brass CW710R (SoMs59) |
| 4 | Bonnet | Bronze CC491K (RG5) |
| 5 | Gasket | NBR bonded aramid |
| 6 | Stem | Special brass CW710R (SoMs59) |
| 7 | Handwheel | Bronze CC491K (RG5) |

| Specifications | |
|------------------|-------------------------------------|
| Standart: | DIN |
| Execution: | Straight |
| Connection type: | Flanged |
| Operation: | Manual / Handwheel |
| Actuation: | Multiturn |
| Tmax: | NBR seat max 80°C / EPDM seat 110°C |

**FIRE FIGHTING VALVE STRAIGHT BRONZE DIN
WITH "STORZ" CONNECTION, PN 16**

Материал bronze CC491K; DIN RG5

Налягане PN 16

Размер DN-40-65

| Dn | Pressure rating | Connection | L | D | D1 | H | M | Weight (kg) |
|-----------|------------------------|-------------------|----------|----------|-----------|----------|----------|--------------------|
| 40 | 16 | PN 16 | 150 | 72 | G 1 1/2" | 160 | 140 | 5 |
| 50 | 16 | PN 16 | 167 | 165 | G 2" | 175 | 140 | 6 |
| 65 | 16 | PN 16 | 200 | 185 | G 2 1/2" | 205 | 160 | 11 |