

FIRE FIGHTING VALVE STRAIGHT BRONZE FLANGED DIN PN 16

Материал bronze CC491K; DIN RG5

Налягане PN 16

Размер DN40-65

DESCRIPTION

Fire hydrant valve straight type is used in fresh water and sea water systems for multiturn operation, to be fitted with fire coupling for connecting fire hose. Angled type with bolted bonnet. Soft disc sealing.

MEDIA

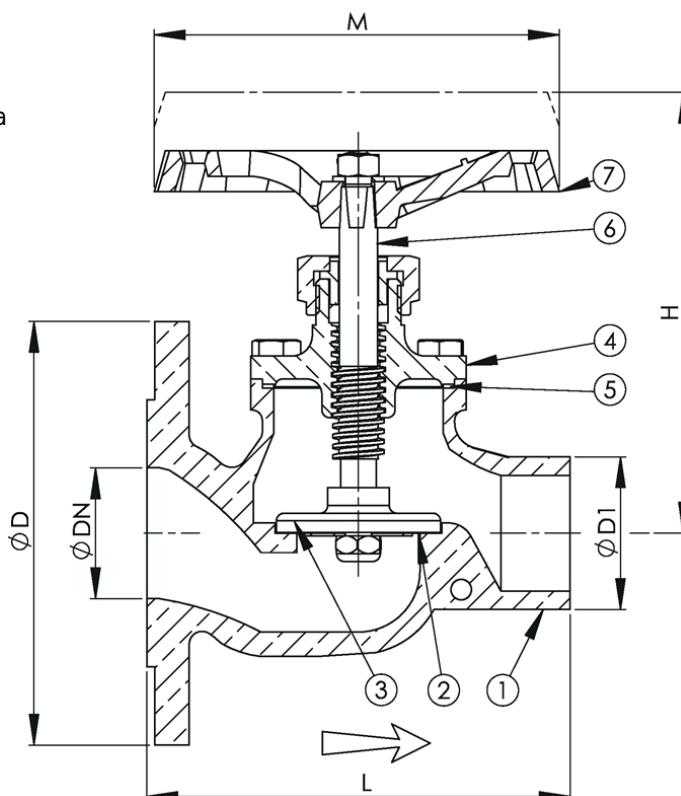
- Sea water
- Fresh water

APPLICATION

- For fire fighting systems. Max. temperature 80°C.

CONNECTION

Standard hose coupling STORZ



No.	Part	Material
1	Body	Bronze CC491K (RG5)
2	Disc ring	NBR
3	Disc	Special brass CW710R (SoMs59)
4	Bonnet	Bronze CC491K (RG5)
5	Gasket	NBR bonded aramid
6	Stem	Special brass CW710R (SoMs59)
7	Handwheel	Bronze CC491K (RG5)

Specifications

Standart:	DIN
Execution:	Straight
Connection type:	Flanged
Operation:	Manual / Handwheel
Actuation:	Multiturn
Tmax:	NBR seat max 80°C / EPDM seat 110°C

**FIRE FIGHTING VALVE STRAIGHT BRONZE
FLANGED DIN PN 16**

Материал bronze CC491K; DIN RG5

Налягане PN 16

Размер DN40-65

Dn	Pressure rating	Connection	L	D	D1	H	M	Weight (kg)
40	16	PN 16	150	72	G 1 1/2"	160	140	5
50	16	PN 16	167	165	G 2"	175	140	6
65	16	PN 16	200	185	G 2 1/2"	205	160	11