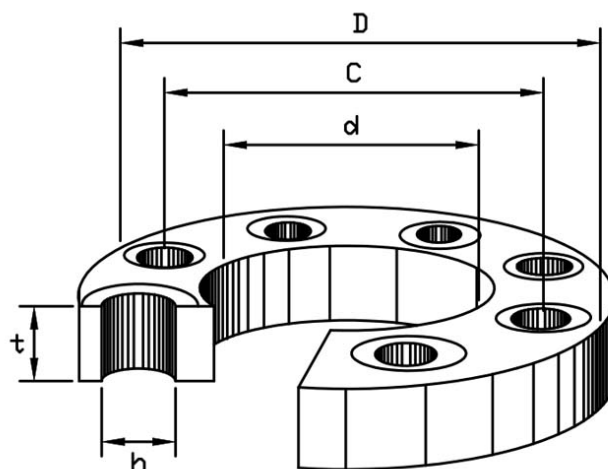


# FLAT FLANGE JIS B2220 FLAT 10K

Материал steel S400  
 Налягане 10 K  
 Размер DN 15 - 1000



No.	Part	Material
1	Flange	Carbon steel S400

Specifications	
Standart:	JIS B2220
Pressure Rating:	10K

Flange slip-on (flat face) jis b2220 10k							
Size	d	D	C	No.	h	t	Weight (kg)
10	17.8	90	65	4	15	12	0.52
15	22.2	95	70	4	15	12	0.57
20	27.7	100	75	4	15	14	0.73
25	34.5	125	90	4	19	14	1.13
32	43.2	135	100	4	19	16	1.48
40	49.1	140	105	4	19	16	1.56
50	61.1	155	120	4	19	16	1.88
65	77.1	175	140	4	19	18	2.6
80	90	185	150	8	19	18	2.61
90	102.6	195	160	8	19	18	2.76
100	115.4	210	175	8	19	18	3.14
125	141.2	250	210	8	23	20	4.77

# FLAT FLANGE JIS B2220 FLAT 10K

Материал steel S400  
 Налягане 10 K  
 Размер DN 15 - 1000

Flange slip-on (flat face) jis b2220 10k							
150	166.6	280	240	8	23	22	6.34
175	192.1	302	265	12	23	22	6.82
200	218	330	290	12	23	22	7.53
250	269.5	400	355	12	25	24	11.8
300	321	445	400	16	25	24	13.5
350	358.1	490	445	16	25	26	16.4
400	409	560	510	16	27	28	23
450	460	620	565	20	27	30	29.5
500	511	675	620	20	27	30	33.5
550	562	745	680	20	33	32	43.1
600	613	795	730	24	33	32	45.7
650	664	845	780	24	33	34	52.1
700	715	905	840	24	33	34	59.5
750	766	970	900	24	33	36	73.2
800	817	1020	950	28	33	36	76.4
900	919	1120	1050	28	33	38	89.4
1000	1021	1235	1160	28	39	40	109.2