

GATE VALVE CAST IRON FLANGED NON-RISING STEM, WITH POSITION INDICATOR DIN 3202 F4, PN 10

Материал cast iron EN-JL1040 (GG25)

Налягане PN 10

Размер DN 40 - 300

APPLICATIONS

Low pressure and temperaute ship systems

MEDIA

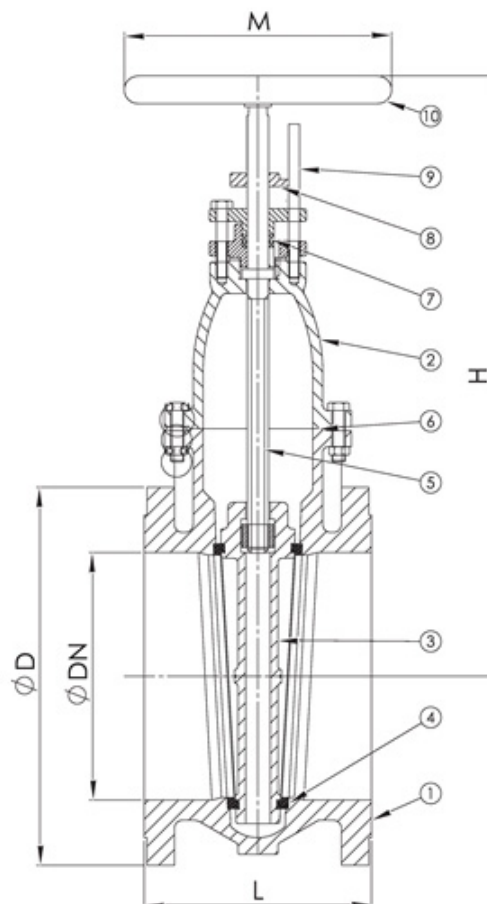
"Fuel oil, lubricating oil and flammable hydraulic oil. Cargo oil. Boiler feedwater, condensate.

Seawater and freshwater."

VARIANTS AND ADVANTAGES

Larger sizes on request

Other body materials on request: Cast Steel 1.0619



No.	Parts	Material
1	Body	Cast iron EN-JL1040 (GG25)
2	Bonnet	Cast iron EN-JL1040 (GG25)
3	Wedge	Cast iron EN-JL1040 (GG25)
4	Seat	Bronze CC491K (RG5)
5	Stem	Brass CW614N (Ms58)
6	Gasket	NBR bonded aramid
7	Gland packing	PTFE
8	Indicator	Bronze CC491K (RG5)
9	Indicator pin	Steel 1.0037 (St37)
10	Handwheel	Cast iron EN-JL1040 (GG25)

GATE VALVE CAST IRON FLANGED NON-RISING STEM, WITH POSITION INDICATOR DIN 3202 F4, PN 10

Материал cast iron EN-JL1040 (GG25)

Налягане PN 10

Размер DN 40 - 300

Specifications	
Standart:	DIN
Flange standard:	EN1092-1 / B1
Face to face standard:	EN 558, series 14 (F4)
Bonnet connection:	Bolted
Execution:	Straight
Connection type:	Flanged
Operation:	Handwheel
Actuation:	Multiturn
Stem:	Non - rising
Drain plug:	Standard
Tmax at 16 Bars	120 °C
Tmax at 13 Bars	150 °C

Dn	Pressure rating	Connection	L	D	P	H	N x d	M	Weight (kg)
40	PN 10	PN 10	140	150	110	255	4 x 18	125	10
50	PN 10	PN 10	150	165	125	270	4 x 18	150	12
65	PN 10	PN 10	170	185	145	323	4 x 18	175	17
80	PN 10	PN 10	180	200	160	355	8 x 18	175	22
100	PN 10	PN 10	190	220	180	405	8 x 18	200	27
125	PN 10	PN 10	200	250	210	460	8 x 18	200	33
150	PN 10	PN 10	210	285	240	518	8 x 22	225	43
200	PN 6	PN 10	230	340	295	608	8 x 22	225	65
250	PN 6	PN 10	250	395	350	708	12 x 22	250	100
300	PN 6	PN 10	270	445	400	818	12 x 22	300	142