

GATE VALVE NON-RISING STEM JIS 5K

Материал cast iron EN-JL1040

Налягане 5 K

Размер DN 50 - 300

DESCRIPTION

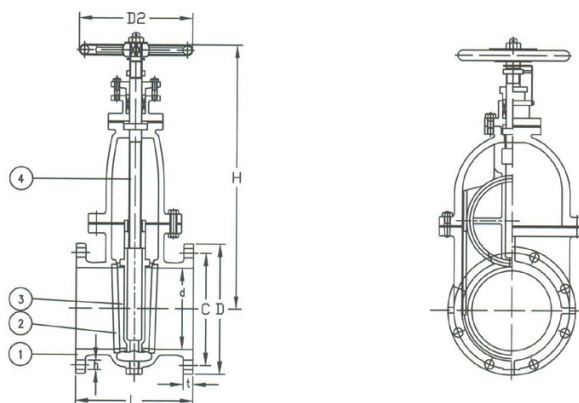
Cast iron and cast steel JIS 7400 gate valves with pressure rating acc. to 5K have a flange connection acc. to JIS 5K, inside screwed stem and non-rising handwheel.

MEDIA

Applications include cooling water systems and low pressure steam systems.

OPTIONS

- Position indicator
- Body material - Cast steel 1.0619 / A234 WPB



| No. | Parts | Material |
|-----|-------|---|
| 1 | Body | Cast Iron EN-GJL200 (GG20, FC200) |
| 2 | Seat | CuSn5Zn5Pb5-C, RG5, CAC406, BC6 (leaded gunmetal bronze) |
| 3 | Wedge | Cast Iron EN-GJL200 (GG20, FC200) |
| 4 | Stem | CuZn40Pb2, Ms58, C3771BD |

| Specifications | |
|------------------------|-----------------------|
| Standart: | JIS F7400 |
| Flange standard: | JIS B2239 5K |
| Face to face standard: | JIS F7425 (JIS F7363) |
| Bonnet connection: | Bolted |
| Execution: | Straight |
| Connection type: | Flanged |
| Operation: | Handwheel |
| Actuation: | Multiturn |
| Tmax at 7 Bars | 120 °C |
| Tmax at 5 Bars | 205 °C |

GATE VALVE NON-RISING STEM JIS 5K

Материал cast iron EN-JL1040

Налягане 5 K

Размер DN 50 - 300

| Dn | Pn | Connection | L | D | C | N x ød | H | D2 | Weight (kg) |
|-----|----|------------|-----|-----|-----|--------|-----|-----|-------------|
| 50 | 5K | 5K | 180 | 130 | 105 | 4x15 | 270 | 140 | 13 |
| 65 | 5K | 5K | 190 | 155 | 130 | 4x15 | 295 | 160 | 19 |
| 80 | 5K | 5K | 200 | 180 | 145 | 4x19 | 325 | 160 | 24 |
| 100 | 5K | 5K | 230 | 200 | 165 | 8x19 | 360 | 200 | 35 |
| 125 | 5K | 5K | 250 | 235 | 200 | 8x19 | 450 | 200 | 48 |
| 150 | 5K | 5K | 270 | 265 | 230 | 8x19 | 500 | 200 | 65 |
| 200 | 5K | 5K | 290 | 320 | 260 | 8x23 | 620 | 250 | 103 |
| 250 | 5K | 5K | 330 | 385 | 280 | 12x23 | 730 | 315 | 164 |
| 300 | 5K | 5K | 370 | 430 | 345 | 12x23 | 845 | 315 | 236 |