

# GATE VALVE RISING STEM F5 DIN

Материал steel 1.0619; DIN GS-C25

Налягане PN 16-40

Размер DN-50-500

## DESCRIPTIONS

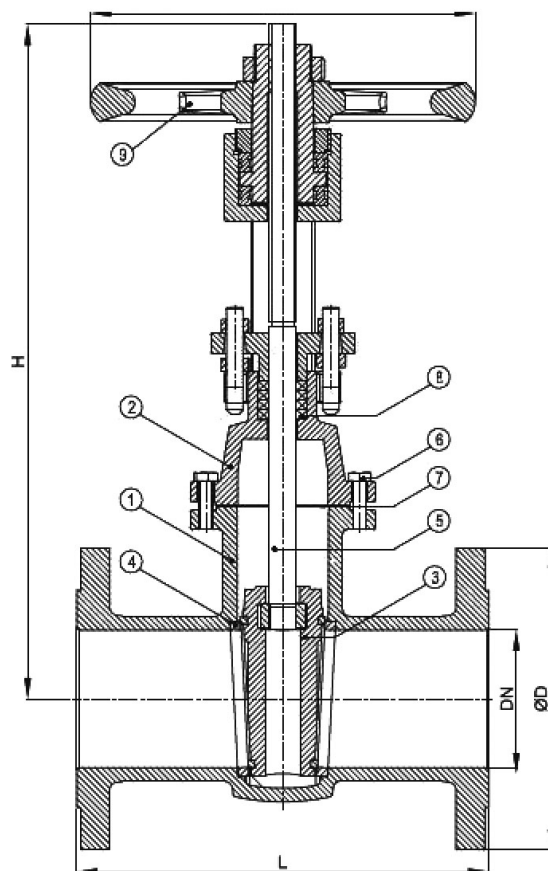
Gate valve used as shut off in cooling, sea water and shipside applications, multiturn operation, non-rising stem.

## MEDIA

Steam. Thermal oil. Fuel oil, lubricating oil and flammable hydraulic oil. Cargo oil. Air. Gas. Non-flammable hydraulic fluid. Boiler feedwater, condensate. Seawater and freshwater.

## OPTIONS

Larger Dimension on request



No.	Parts	Materials	Specification	
1	Body	steel GP240GH 1.0619 GSC25	Building standard	DIN EN 1171 (DIN 3352 T3)
2	Bonnet	steel GP240GH 1.0619 GSC25	Connection	flanged acc.DIN to EN 1092-1/B (DIN 2501)
3	Gate	steel GP240GH 1.0619 GSC25	Building length	EN 558 серия 15 (DIN 3202 F5)
4	Seat	st. steel X5CrNi18-10 (1.4301)	Bonnet connection	bolted
5	Stem	X20Cr13 (1.4021)	Execution	straight
6	Bonnet gasket	Asbestoss free gasket	Connection	flanged
7	Gland packing	teflon/PTFE	Operation	handwheel
8	Handwheel	Cast Iron EN-GJL250 EN-JL 1040	Actuation	multiturn
			T max. °C	350 °C

## GATE VALVE RISING STEM F5 DIN

Материал steel 1.0619; DIN GS-C25

Налягане PN 16-40

Размер DN-50-500

Dn	Pn	Connection	L	D		P		N x d		H	R	Weight (kg)
				Pn16	Pn40	Pn16	Pn40	Pn16	Pn40			
50	PN40	PN16; PN40	205	165	165	125	125	4 x 18	4 x 18	270	225	20
65	PN40	PN16; PN40	270	185	185	145	145	8b x 18	8 x 18	295	280	28
80	PN40	PN16; PN40	280	200	200	160	160	8 x 18	8 x 18	325	280	34
100	PN40	PN16; PN40	300	220	235	180	190	8 x 18	8 x 22	360	320	42
125	PN40	PN16; PN40	325	250	270	210	220	8 x 18	8 x 26	450	360	58
150	PN40	PN16; PN40	350	285	300	240	250	8 x 22	8 x 26	500	360	73
200	PN40	PN16; PN40	400	340	375	295	320	12 x 22	12 x 30	560	400	120
250	PN40	PN16; PN40	450	405	450	355	385	12 x 26	12 x 33	620	500	180
300	PN40	PN16; PN40	500	460	515	410	450	12 x 26	16 x 33	730	500	260
350	PN 25	PN16; PN40	550	520	580	470	510	16 x 26	16 x 36	1595	500	350
400	PN 25	PN16; PN40	600	580	685	525	610	16 x 30	16 x 39	1810	640	460
500	PN 25	PN16; PN40	700	715	755	650	670	20 x 33	20 x 42	2195	720	845