

GATE VALVE SOFT SEATED FOR DRINKING WATER F5 DIN EN 1171 (DIN 3352 T2)

Материал cast iron EN-JL1040

Налягане PN 10-16

Размер DN 40 - 450

DESCRIPTIONS

General use: Water supply, fire protection, irrigation systems, water treatment

Range : from DN40 to DN600.

Elastomer protection of valve body against shock.

With epoxy coating RAL 5015, 250 microns thickness.

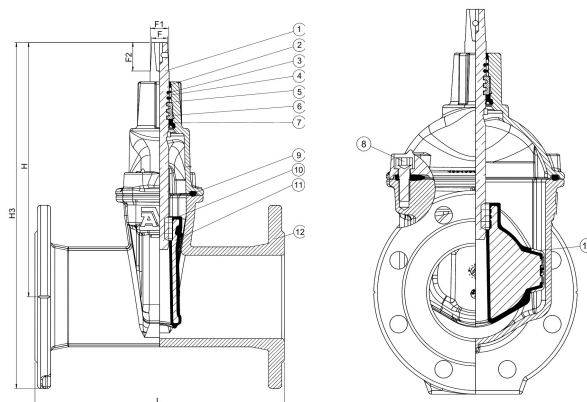
No zone of retention. Low head losses.

Working conditions:

- Maximum working pressure : 16 bar.
- Maximum working temperature: 110°C

MEDIA

- Water



No.	Parts	Material
1	Body	Nodular iron GGG 40, 50 (EN GJS-400, 500)
2	Wedge	Nodular iron GGG 40, 50 (EN GJS-400, 500) +NBR, EPDM
3	Bonnet	Nodular iron GGG 40, 50 (EN GJS-400, 500)
4	Stem	Stainless steel AISI 410,431,316
5	Spindle nut	Brass Ms 58, 56
6	Support ring	Brass Ms 58, 56
7	Sealing ring	Brass Ms 58, 56
8	Handwheel	Nodular iron GGG 40 (EN GJS-400)
9	Cover gland	NBR, EPDM
10	Gland	NBR
11	Separator	NBR
12	Cover bolts	Stainless steel

Specifications	
Building standards:	EN 1172
Flange standard:	EN 1092-2
Face to face standard:	EN 558, series 15
Bonnet connection:	Bolted
Execution:	Straight

GATE VALVE SOFT SEATED FOR DRINKING WATER F5 DIN EN 1171 (DIN 3352 T2)

Материал cast iron EN-JL1040

Налягане PN 10-16

Размер DN 40 - 450

Specifications	
Connection type:	Flanged
Operation:	Handwheel
Actuation:	Multiturn
Working temp °C	0 - 70 °C

Dn	Pn	L	H	H3	F	F1	F2	Kg
40	10/16	240	200	283	14	16	30	8,3
50	10/16	250	209	292	14	16	30	9,7
65	10/16	270	243	336	17	20	34	12
80	10/16	280	282	382	17	20	34	16
100	10/16	300	319	429	19	22	34	18
125	10/16	325	346	471	19	22	34	24
150	10/16	350	403	596	19	22	34	34
200	10	400	490	660	24	28	34	54
200	16	400	490	660	24	28	34	54
250	10	450	664	864	27	31	47	110
250	16	450	664	864	27	31	47	110
300	10	500	740	968	27	31	47	160
300	16	500	740	968	27	31	47	160
350	10	550	947	1207	32	37	55	320
350	16	550	947	1207	32	37	55	320
400	10	600	959	1249	32	37	55	342
400	16	600	959	1249	32	37	55	342
450	10	650	958	1278	32	37	55	360