

# GLOBE VALVE BELOW SEALED TYPE TYPE 03252 FLANGED

Материал stainless steel 1.4308  
 Налягане CLASS 300  
 Размер DN 15 - 50

## ТЕХНИЧЕСКО ОПИСАНИЕ

Type 03252 - Bellow Sealed Globe Valve  
 Cryogenic-Bellow Sealed Globe Valve, Class 300

Stainless steel body and topwork,  
 "live loaded? gland packing"  
 "cleaned and degreased for oxygen service?"

Part No. 03252.X.0023

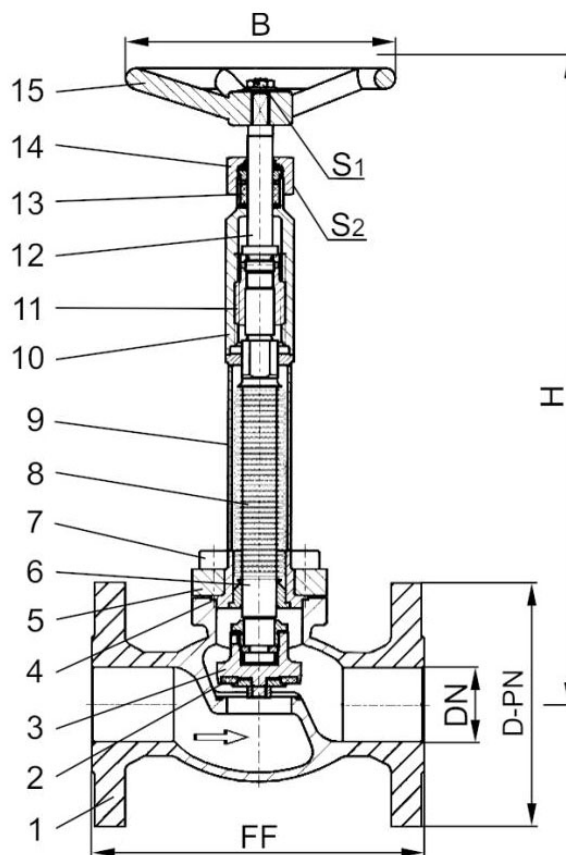
Flanged connection acc. to ANSI B16.5 class 300

### РАБОТЕН ФЛУИД / СРЕДА

Approved for air gases, vapours and cryogenic liquefied  
 gases incl. LNG.

### ОПЦИИ

- Extension H up to 900mm
- Valve with control disc (tapered design)



№	Materials	Din en	Astm
1	Body	1.4308	A351CF8
2	Valve seal	PTFE / Carbon filled (25%)	
3	Disc	1.4301	A 276 Grade 304
4	Bonnet	gasket	PTFE
5	Headpiece	1.4301	A 276 Grade 304
6	Bellow stem	1.4571	A 276 Grade 316Ti
7	Bolts	1.4301/A2	A194B8
8	Bellow	1.4571	A 276 Grade 316Ti
9	Elongation tube	1.4541	A213TP 321
10	Headpiece	1.4301 / A2	A194B8
11	Bush	CW452K	B 159 UNS C51900
12	Stem	1.4301	A 276 Grade 304
13	Gland packing	Graphite / PTFE	
14	Gland nut	1.4305	A 276 Grade 303
15	Handwheel	Aluminium alloy	

# GLOBE VALVE BELOW SEALED TYPE TYPE 03252 FLANGED

Материал stainless steel 1.4308  
 Налягане CLASS 300  
 Размер DN 15 - 50

Specifications	
Type 03252	Криогенен силфонен вентил PN40
Connection standard	фланцеви
Face to face lenght	заводска нормала
Cover connection	фланцево
Body type	Straight
Connection ends	на фланци
Actuation	самостоятелно
Working temp. [°C]	-196°C / -321°F (77K)
	to +120°C / +248°F (393K)

Type 03252 - standard design / technical data						
Nominal size	DN	15	20	25	40	50
Dimension code - Flange ANSI Class 300	.X.	0150	0200	0250	0400	0500
Flange-Ø	D-PN	95	105	115	150	165
Face-to-face dimension	FF	140	150	160	200	230
Height	H	380	380	380	380	380
Handwheel-Ø	B	150	150	150	150	150
Wrench size across flats	S1	7	7	7	10	10
Wrench size across flats	S2	30	30	30	36	36
Weight	ca. kg	3.5	5.0	5.2	10.1	13.8
Kvs-Value	m <sup>3</sup> /h	4.3	6.7	11.5	22.6	37.1
Cv-Value	gal/min	5.0	7.8	13.4	26.3	43.2
Dimensions in mm.						