

GLOBE VALVE BRASS ANGLE WITH THREADED BONNET DIN 3202 F32, PN 16

Материал месинг CW617N ; DIN Ms58 NiCr
 Налягане PN 16
 Размер DN 15 - 80

DESCRIPTION

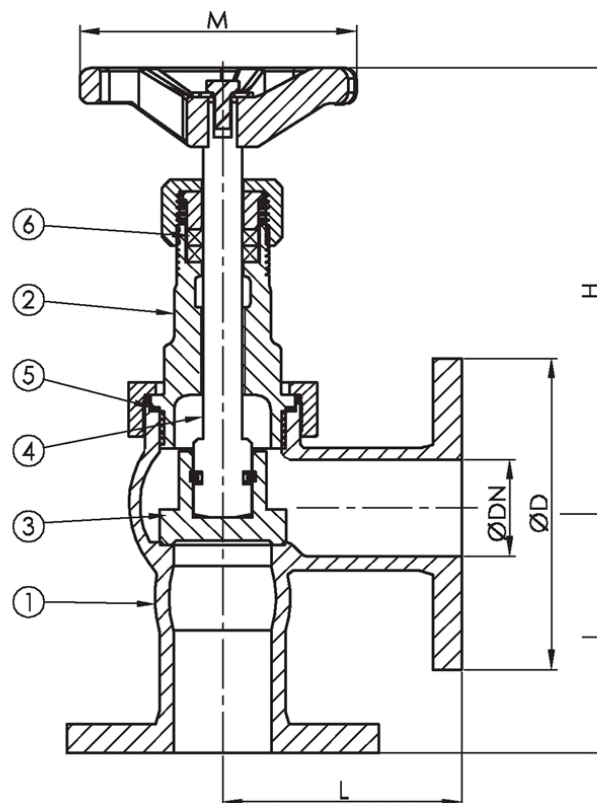
Globe valve angle type, flanged connection with shut off or screw down non return (SDNR) function. Straight, rising stem type with flanged ends, screwed and secured bonnet as well as metal sealing. For warm sea water it is recommended to use a stem of zinc free bronze, CuSn6.

APPLICATION

- Steam. Fuel oil, lubricating oil and flammable hydraulic oil. Boiler feedwater, condensate.
- Seawater and freshwater.

VARIANTS

- Stem in CuSn6
- Screw down non return (SDNR)



No.	Part	Material
1	Body	Brass CW614N (Ms58)
2	Bonnet	Brass CW614N (Ms58)
3	Disc	Brass CW614N (Ms58)
4	Stem	Special brass CW710R (SoMs59)
5	Gasket	PTFE
6	Gland	Brass CW614N (Ms58)

Specifications	
Standart:	DIN 3202 F1
Bonnet connection:	Screwed, Secured
Execution:	Angle
Connection type:	Flanged
Operation:	Handwheel
Actuation:	Multiturn
T°max	Temperatures up to 180°C
	Steam up to 120°C

Dn	Pressure rating	Connection	L	D	H	M	Weight (kg)
10	16	PN 16	65	90	86	60	1,4
15	16	PN 16	65	95	86	60	1,8
20	16	PN 16	70	105	100	80	2,1
25	16	PN 16	75	115	105	80	2,6
32	16	PN 16	90	140	120	90	4,2

**GLOBE VALVE BRASS ANGLE WITH
THREADED BONNET DIN 3202 F32, PN 16**

Материал месинг CW617N ; DIN Ms58 NiCr

Налягане PN 16

Размер DN 15 - 80

Dn	Pressure rating	Connection	L	D	H	M	Weight (kg)
40	16	PN 16	100	150	135	100	5,2
50	16	PN 16	105	165	150	120	7,5
65	16	PN 16	115	185	210	160	11
80	16	PN 16	125	200	230	200	15