

# GLOBE VALVE BRASS STRAIGHT FLANGED WITH THREADED BONNET DIN 3202 F1, PN 16

Материал месинг CW617N ; DIN Ms58 NiCr  
 Налягане PN 16  
 Размер DN 15 - 100

## DESCRIPTION

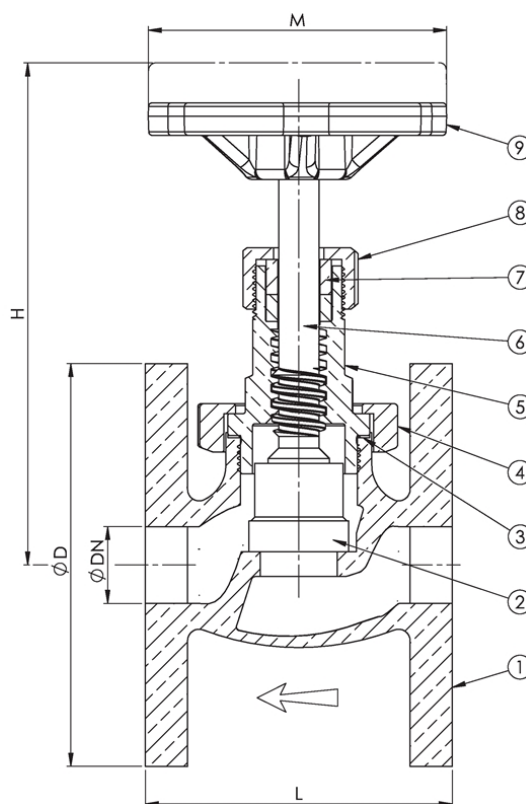
Globe valve straight type, flanged connection with shut off or screw down non return (SDNR) function. Straight, rising stem type with flanged ends, screwed and secured bonnet as well as metal sealing. For warm sea water it is recommended to use a stem of zinc free bronze, CuSn6.

## APPLICATION

- Steam, Fuel oil, lubricating oil and flammable hydraulic oil.
- Boiler feedwater, condensate.
- Seawater and freshwater.

## VARIANTS

- Stem in CuSn6
- Screw down non return (SDNR)



No.	Part	Material	Specifications	
1	Body	Brass CW614N (Ms58)	Standart:	DIN 3202 F1
2	Disc	Brass CW614N (Ms58)	Bonnet connection:	Screwed, Secured
3	Gasket	PTFE	Execution:	Straight
4	Locking nut	Brass CW614N (Ms58)	Connection type:	Flanged
5	Bonnet	Brass CW614N (Ms58)	Operation:	Handwheel
6	Stem	Special brass CW710R (SoMs59)	Actuation:	Multiturn
7	Gland	Brass CW614N (Ms58)	T°max	Temperatures up to 180°C
8	Gland nut	Brass CW614N (Ms58)		Steam up to 120°C
9	Handwheel	Cast iron EN-JL1040 (GG25)		

Dn	Pressure rating	Connection	L	D	H	M	Weight (kg)
10	16	PN 16	70	90	95	60	1,4
15	16	PN 16	70	95	95	60	1,8
20	16	PN 16	80	105	110	80	2,1

**GLOBE VALVE BRASS STRAIGHT FLANGED  
WITH THREADED BONNET DIN 3202 F1, PN  
16**

Материал месинг CW617N ; DIN Ms58 NiCr  
Налягане PN 16  
Размер DN 15 - 100

<b>Dn</b>	<b>Pressure rating</b>	<b>Connection</b>	<b>L</b>	<b>D</b>	<b>H</b>	<b>M</b>	<b>Weight (kg)</b>
25	16	PN 16	90	115	115	80	2,6
32	16	PN 16	105	140	135	90	4,2
40	16	PN 16	120	150	145	100	5,2
50	16	PN 16	140	165	165	120	7,5
65	16	PN 16	180	185	230	160	11
80	16	PN 16	200	200	250	200	15
100	16	PN 16	230	220	260	200	21