

GLOBE VALVE BRONZE "HOSE VALVE" ANGLE JIS F7334 5K

Материал bronze CC491K; DIN RG5

Налягане 5 K

Размер DN 15 - 50

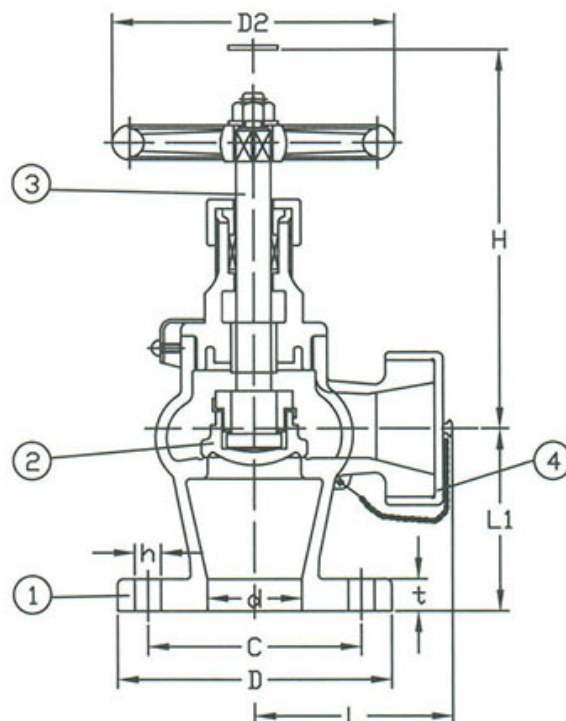
APPLICATIONS

Applications include cooling water systems and steam systems.

VARIANTS AND ADVANTAGES

Spring for SDNR

Body pattern - Straight / Angle



1	Body / bonnet	Bronze cc491k (rg5)
2	Seat	Bronze CC491K (RG5)
3	Disc	Bronze CC491K (RG5)
	Stem	Brass
	Handwheel	Cast iron (GG25)
	Stem seal	Gland seal

Specifications	
Standart:	JIS
Flange standard:	JIS B2220 5K
Face to face standard:	JIS B2002
Bonnet connection:	Screwed
Execution:	Angle
Connection type:	Flanged
Operation:	Handwheel / Rising stem

GLOBE VALVE BRONZE "HOSE VALVE" ANGLE JIS F7334 5K

Материал bronze CC491K; DIN RG5

Налягане 5 K

Размер DN 15 - 50

Specifications	
Actuation:	Multiturn
Tmax at 5 Bars	205 °C
Tmax at 7 Bars	120 °C

Dn	Pressure rating	Connection	L1	D	C	N x øh	H (open)	D2	Weight (kg)
15	5K	5K	55	80	60	4 x 12	120	80	1.98
20	5K	5K	60	85	65	4 x 12	130	100	2.73
25	5K	5K	65	95	75	4 x 12	145	125	3.44
32	5K	5K	80	115	90	4 x 15	150	125	4.77
40	5K	5K	85	120	95	4 x 15	165	140	5.99
50	5K	5K	100	130	105	4 x 15	-	140	10.1
65	5K	5K	115	155	130	4 x 15	-	160	15.6