

# GLOBE VALVE BRONZE "HOSE VALVE" STRAIGHT JIS F7334 10K

Материал bronze CC491K; DIN RG5

Налягане 10K

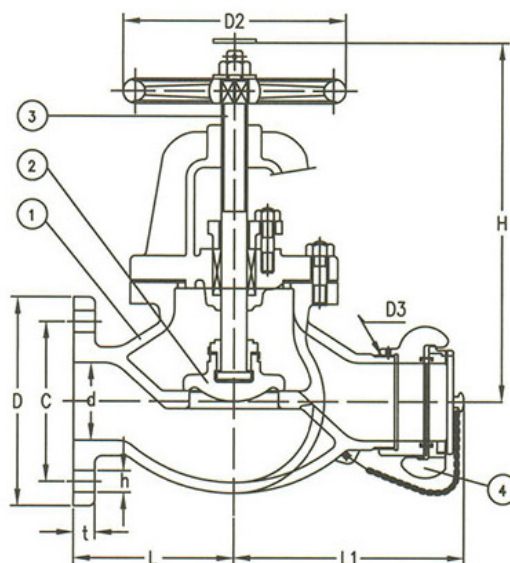
Размер DN 15 - 65

## APPLICATIONS

"Fire fighten system, deck water system, air system"

## VARIANTS AND ADVANTAGES

Body pattern - Straight / Angle



No.	Parts	Material
1	Body / Bonnet	Bronze CC491K (RG5)
2	Seat	Bronze CC491K (RG5)
3	Disc	Bronze CC491K (RG5)
	Stem	Brass
	Handwheel	Cast iron (GG25)
	Stem seal	Gland seal
	Hose coupling Std.	NAKAJIMA

## Specifications

Standart:	JIS
Flange standard:	JIS B2220 10K
Face to face standard:	JIS
Bonnet connection:	Screwed
Execution:	Angle
Connection type:	Flanged
Operation:	Handwheel / Rising stem
Actuation:	Multiturn

**GLOBE VALVE BRONZE "HOSE VALVE"  
STRAIGHT JIS F7334 10K**

Материал bronze CC491K; DIN RG5

Налягане 10K

Размер DN 15 - 65

Specifications	
Tmax at 10 Bars	205 °C
Tmax at 14 Bars	120 °C

Dn	Pressure rating	Connection	L	L1	D	C	N x øh	H (open)	D2	Weight (kg)
15	10K	10K	73	70	95	70	4 x 15	120	80	2.72
25	10K	10K	83	85	125	90	4 x 19	145	125	4.04
40	10K	10K	124	100	140		4 x 19	165	140	8.19
50	10K	10K	160	120	155		4 x 19	255/240	160	14.3
65	10K	10K	180	130	175		4 x 19	-/255	200	23