

# GLOBE VALVE BRONZE STRAIGHT FLANGED WITH BOLTED BONNET DIN 3202 F1, PN 16

Материал bronze CC491K; DIN RG5

Налягане PN 16

Размер DN 15 - 150

## DESCRIPTION

Globe valve straight type, flanged connection with shut off, regulating or screw down non return (SDNR) function. A shorter version of our straight, rising stem globe valve with bolted bonnet and metal sealing. For warm seawater it is recommended to use a stem of zinc free bronze, CuSn6.

## MEDIA

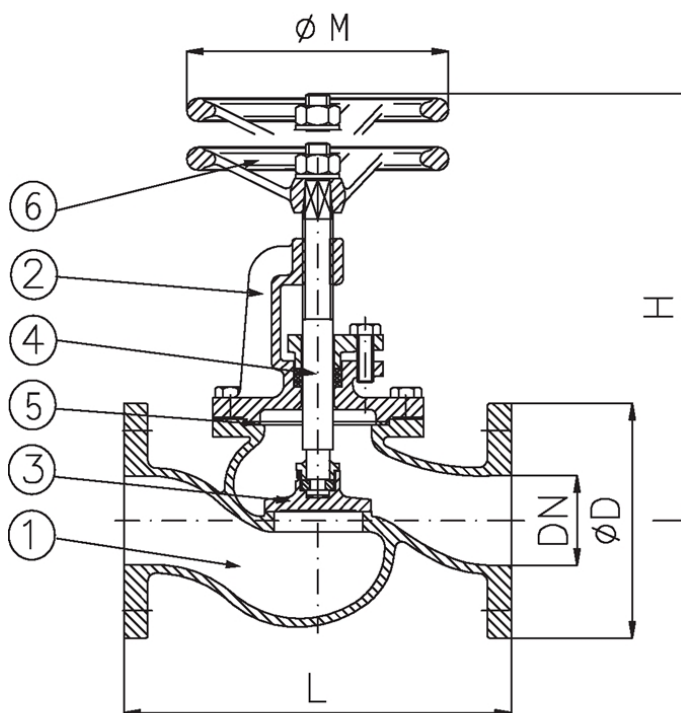
- Steam. Fuel oil, lubricating oil and flammable hydraulic oil. Cargo oil. Non-flammable hydraulic fluid. Boiler feedwater, condensate.  
- Seawater and freshwater.

## VARIANTS

- Regulating disc.  
- Stainless steel trim.

## OPTIONS

- Spring for SDNR. With indicator.



No.	Part	Material	Specifications	
1	Body	Bronze CC491K (RG5)	Standart:	DIN 3202 F1
2	Bonnet	Bronze CC491K (RG5)	Flange standard:	EN1092-3
3	Disk	DN 15-80 Brass CW710R (SoMs59)	Face to face:	EN558, Series 1
3	Disk	DN 80 - 150 Bronze CC491K (RG5)	Bonnet connection:	Screwed, Secured
4	Stem	Special brass CW710R (SoMs59)	Execution:	Straight
5	Bonnet Sealing	NBR bonded aramid	Connection type:	Flanged
6	Handwheel:	DN 15-80 Steel plate	Operation:	Handwheel
6.1	Handwheel	DN 100-150 Cast Iron	Actuation:	Multiturn
			T°max	Temp. up to 225°C
				Steam up to 180°C

ду	ру	фланци/ру	L	D	Øр*	N x d	H	M	тегло (kg)
15	16	16	130 / 100	95	65	4 x 14	155	80	2,1
20	16	16	150 / 110	105	75	4 x 14	160	80	2,6
25	16	16	160 / 120	115	85	4 x 14	175	80	3,5

## GLOBE VALVE BRONZE STRAIGHT FLANGED WITH BOLTED BONNET DIN 3202 F1, PN 16

Материал bronze CC491K; DIN RG5

Налягане PN 16

Размер DN 15 - 150

ду	ру	фланци/ру	L	D	ØP*	N x d	H	M	тегло (kg)
32	16	16	180 / 135	140	100	4 x 18	180	100	4,5
40	16	16	200 / 150	150	110	4 x 18	205	120	6,7
50	16	16	230 / 180	165	125	4 x 18	215	120	9,2
65	16	16	290 / 200	185	145	4 x 18	235	160	13
80	16	16	310 / 230	200	160	8 x 18	275	160	18
100	16	16	350 / 280	220	180	8 x 18	325	250	27
125	16	16	400 / 350	250	210	8 x 18	365	250	36
150	16	16	480 / 400	285	240	8 x 22	405	250	52
Забележка: Строителна дължина (L) - нормална / скъсена									
Размер ØP, да се счита за диаметър на болтовата окръжност									