

GLOBE VALVE CAST IRON ANGLE DIN PN 16-10

Материал cast iron EN-JL1040 (GG25)

Налягане PN-16-10

Размер DN 15 - 250

APPLICATIONS

"Globe valve with shut off, regulating or screw down non return (SDNR) function. Metal sealing. Rising stem type."

MEDIA

"Fuel oil, lubricating oil and flammable hydraulic oil. Cargo oil. Non-flammable hydraulic fluid. Boiler feedwater, condensate. Seawater and freshwater."

VARIANTS AND ADVANTAGES

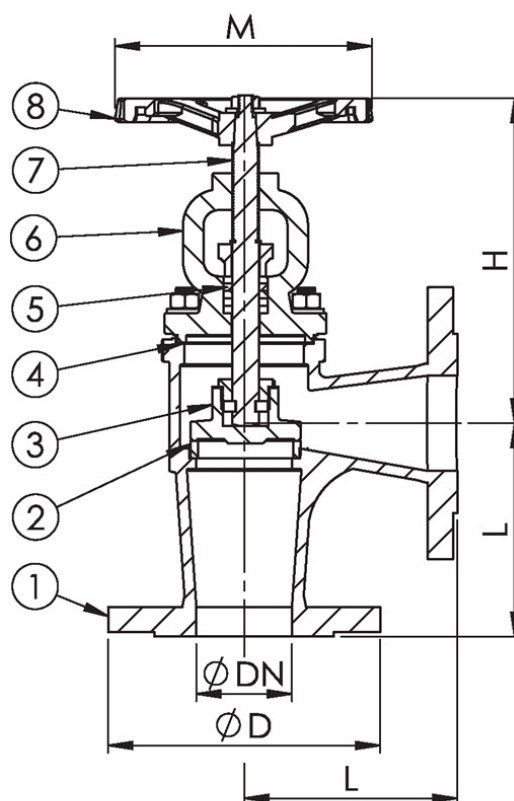
SDNR - Screw down non return

Regulating disc

Stainless steel trim

Other body materials on request: Cast steel 1.0619

/ PN40



No.	Part	Material
1	Body	Cast iron EN-JL1040 (GG25)
2	Seat	Stainless steel 1.4006
3	Disc / DN15-150	Stainless steel 1.4021
3	Disc / DN200-250	Cast iron EN-JL1040 (GG25)
5	Gasket	Graphite
6	Gland packing	Graphite
7	Bonnet	Cast iron EN-JL1040 (GG25)
8	Stem	Stainless steel 1.4021
9	Handwheel	Cast iron EN-JL1040 (GG25)

Specifications	
Standart:	DIN
Flange standard:	EN1092-1 / B1

GLOBE VALVE CAST IRON ANGLE DIN PN 16-10

Материал cast iron EN-JL1040 (GG25)

Налягане PN-16-10

Размер DN 15 - 250

Specifications	
Face to face standard:	EN 558, series 8
Bonnet connection:	Bolted
Execution:	Straight
Connection type:	Flanged
Operation:	Handwheel
Actuation:	Multiturn
DN15-150 / Tmax at 16 Bars	120 °C
DN15-150 / Tmax at 10 Bars	180 °C
DN200-250 / Tmax at 10 Bars	120 °C
DN200-250 / Tmax at 6 Bars	180 °C

Dn	Pressure rating	Connection	L	D	H	M	Weight (kg)
15	PN 16	PN 16	90	95	173	120	4
20	PN 16	PN 16	95	105	173	120	4.5
25	PN 16	PN 16	100	115	189	120	5.2
32	PN 16	PN 16	105	140	190	120	6.7
40	PN 16	PN 16	115	150	225	140	9.6
50	PN 16	PN 16	125	165	218	140	12
65	PN 16	PN 16	145	185	246	140	16
80	PN 16	PN 16	155	200	274	160	21
100	PN 16	PN 16	175	220	303	160	33
125	PN 16	PN 16	200	250	310	200	43
150	PN 16	PN 16	225	285	360	200	70
200	PN 10	PN 10	275	340	488	400	110
250	PN 10	PN 10	325	395	550	400	160