

GLOBE VALVE CAST IRON ANGLE JIS F7306 5K

Материал cast iron EN-JL1040; DIN GG25
 Налягане 5K
 Размер DN 15 - 200

DESCRIPTIONS

Globe valve angle type, flanged connection with shut off, regulating or screw down non return (SDNR) function. Metal sealing. Rising stem type.

MEDIA

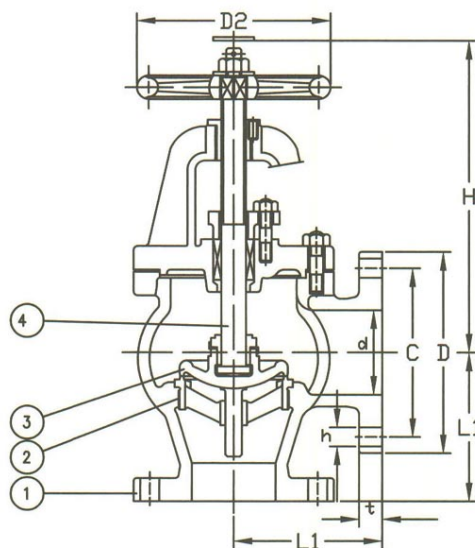
- Fuel oil, lubricating oil and flammable hydraulic oil. Cargo oil.
- Seawater and freshwater.

VARIANTS

- Regulating disc.
- Screw non-return type

OPTIONS

Spring for SDNR



No.	Part	Material	Specifications	
1	Body	Cast iron EN-JL1040 (GG25)	Standart:	JIS F7400
2	Seat	Bronze BC6	Flange standard:	JIS B2220-5K
3	Disc	Cast iron EN-JL1040 (GG25), Disc Ring-Bronze BC6	Face to face standard:	JIS F7400
4	Stem	Brass	Bonnet connection:	Bolted
			Execution:	Angle
			Connection type:	Flanged
			Operation:	Handwheel
			Actuation:	Multiturn
			Tmax	120 °C

Dn	Pressure rating	Connection	L1	D	C	N x h	H	D2	Weight (kg)
50	5K	5K	100	130	105	4 x 15	240	160	12,9
65	5K	5K	115	155	130	4 x 15	255	180	18,2
80	5K	5K	130	180	145	4 x 19	265	180	23,4
100	5K	5K	150	200	165	8 x 19	310	224	33,7
125	5K	5K	170	235	200	8 x 19	330	250	46,2
150	5K	5K	190	265	230	8 x 19	380	280	63,4
200	5K	5K	220	320	280	8 x 23	450	315	105