

# GLOBE VALVE CAST IRON ANGLE JIS F7308, 10K

Материал cast iron EN-JL1040; DIN GG25  
 Налягане 10K  
 Размер DN 15 - 200

## DESCRIPTIONS

Globe valve angle type, flanged connection with shut off, regulating or screw down non return (SDNR) function. Metal sealing. Rising stem type.

## MEDIA

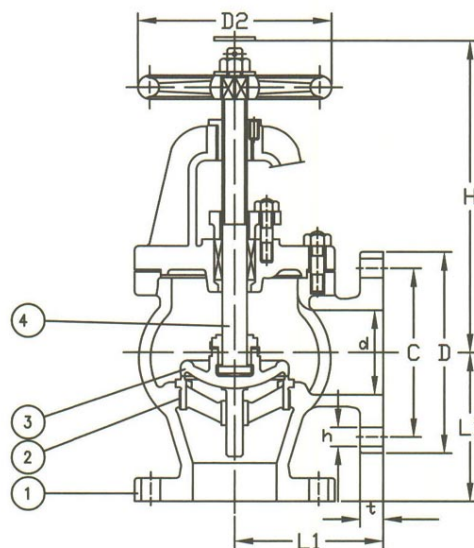
- Fuel oil, lubricating oil and flammable hydraulic oil. Cargo oil.
- Seawater and freshwater.

## VARIANTS

- Regulating disc.
- Screw non-return type

## OPTIONS

Spring for SDNR



No.	Part	Material	Specifications	
1	Body	Cast iron EN-JL1040 (GG25)	Standart:	JIS F7400
2	Seat	Bronze BC6	Flange standard:	JIS B2220-5K
3	Disc	Cast iron EN-JL1040 (GG25), Disc Ring-Bronze BC6	Face to face standard:	JIS F7400
4	Stem	Brass	Bonnet connection:	Bolted
			Execution:	Angle
			Connection type:	Flanged
			Operation:	Handwheel
			Actuation:	Multiturn
			Tmax	120 °C

Dn	Pressure rating	Connection	L1	D	C	N x h	H	D2	Weight (kg)
50	10K	10K	120	155	120	4 x 19	255	160	18,2
65	10K	10K	130	175	140	4 x 19	260	200	25,4
80	10K	10K	140	185	150	8 x 19	270	200	23,4
100	10K	10K	160	210	175	8 x 19	305	250	40,6
125	10K	10K	180	250	210	8 x 23	350	280	69,9
150	10K	10K	205	280	240	8 x 23	390	315	81
200	10K	10K	230	330	290	12 x 23	450	355	125