

GLOBE VALVE CAST IRON STRAIGHT DIN PN 16-10

Материал cast iron EN-JL1040 (GG25)

Налягане PN-16-10

Размер DN 15 - 250

APPLICATIONS

"Globe valve with shut off, regulating or screw down non return (SDNR) function. Metal sealing. Rising stem type."

MEDIA

"Fuel oil, lubricating oil and flammable hydraulic oil. Cargo oil. Seawater and freshwater."

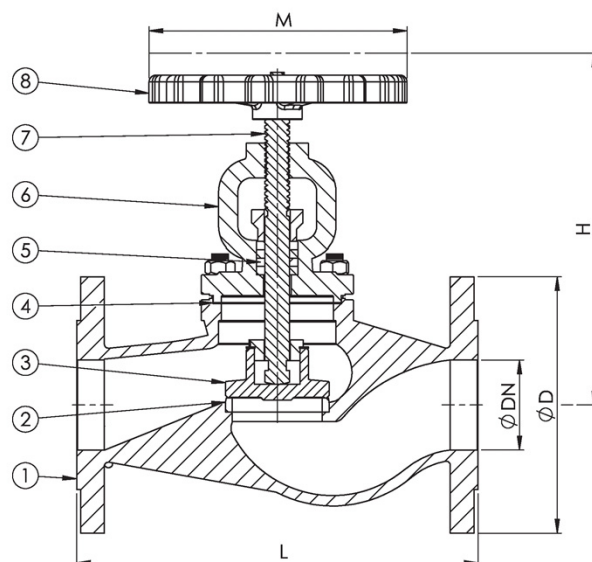
VARIANTS AND ADVANTAGES

SDNR - Screw down non return

Regulating disc

Stainless steel trim

Other body materials on request: Cast steel 1.0619 / PN40



No.	Part	Material
1	Body	Cast iron EN-JL1040 (GG25)
2	Seat	Stainless steel 1.4006
3	Disc / DN15 - DN150	Stainless steel 1.4021
3	Disc / DN200 - DN250	Cast iron EN-JL1040 (GG25)
5	Gasket	Graphite
6	Gland packing	Graphite
7	Bonnet	Cast iron EN-JL1040 (GG25)
8	Stem	Stainless steel 1.4021
9	Handwheel	Steel 1.0037 (St37)

Specifications

Standart:	DIN
Flange standard:	EN1092-1 / B1
Face to face standard:	EN 558, series 1
Bonnet connection:	Bolted
Execution:	Straight
Connection type:	Flanged

GLOBE VALVE CAST IRON STRAIGHT DIN PN 16-10

Материал cast iron EN-JL1040 (GG25)

Налягане PN-16-10

Размер DN 15 - 250

Specifications	
Operation:	Handwheel
Actuation:	Multiturn
DN15-150 / Tmax at 16 Bars	120 °C
DN15-150 / Tmax at 10 Bars	180 °C
DN200-250 / Tmax at 10 Bars	120 °C
DN200-250 / Tmax at 6 Bars	180 °C

Dn	Pressure rating	Connection	L	D	H	M	Weight (kg)
15	PN 16	PN 16	130	95	177	120	3.8
20	PN 16	PN 16	150	105	179	120	4.3
25	PN 16	PN 16	160	115	198	120	5.4
32	PN 16	PN 16	180	140	198	120	7.1
40	PN 16	PN 16	200	150	221	140	9.8
50	PN 16	PN 16	230	165	224	140	13
65	PN 16	PN 16	290	185	267	140	17
80	PN 16	PN 16	310	200	292	160	25
100	PN 16	PN 16	350	220	325	160	35
125	PN 16	PN 16	400	250	370	200	50
150	PN 16	PN 16	480	285	420	200	70
200	PN 10	PN 10	600	340	560	400	134
250	PN 10	PN 10	730	395	663	520	243