

GLOBE VALVE CAST IRON STRAIGHT JIS F7305 5K

Материал cast iron EN-JL1040; DIN GG25
 Налягане 5K
 Размер DN-50-200

DESCRIPTIONS

Globe valve straight type, flanged connection with shut off, regulating or screw down non return (SDNR) function. Metal sealing. Rising stem type.

MEDIA

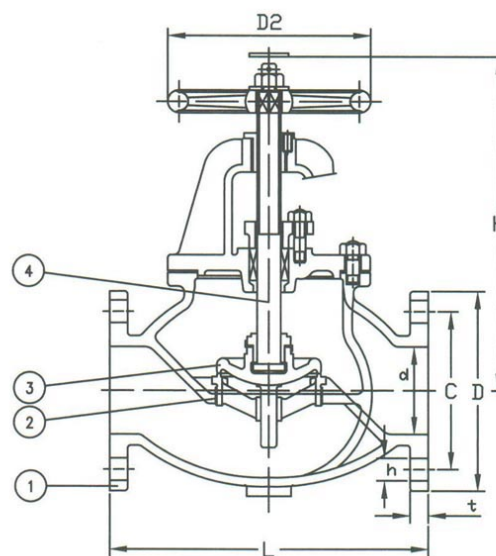
- Fuel oil, lubricating oil and flammable hydraulic oil. Cargo oil.
- Seawater and freshwater.

VARIANTS

- Screw down non return type

OPTIONS

Spring for SDNR.



No.	Part	Material	Specifications	
1	Body	Cast iron EN-JL1040 (GG25)	Standart:	JIS F7400
2	Seat	Bronze BC6	Flange standard:	JIS B2220-5K
3	Disc	Cast iron EN-JL1040 (GG25) , Disc ring-Bronze BC6	Face to face standard:	JIS F7400
4	Stem	Brass	Bonnet connection:	Bolted
			Execution:	Straight
			Connection type:	Flanged
			Operation:	Handwheel
			Actuation:	Multiturn
			Tmax	120 °C

Dn	Pressure rating	Connection	L	D	C	N x h	H	D2	Weight (kg)
50	5K	5K	210	130	105	4 x 15	270	160	14,7
65	5K	5K	250	155	130	4 x 15	300	180	21,3
80	5K	5K	280	180	145	4 x 19	310	180	27,7
100	5K	5K	340	200	165	8 x 19	360	224	40,8
125	5K	5K	410	235	200	8 x 19	390	250	57,6
150	5K	5K	480	265	230	8 x 19	445	280	80,3
200	5K	5K	570	320	280	8 x 23	530	315	139