

GLOBE VALVE CAST IRON STRAIGHT JIS F7307, 10K

Материал cast iron EN-JL1040; DIN GG25
 Налягане 10K
 Размер DN-50-200

DESCRIPTIONS

Globe valve straight type, flanged connection with shut off, regulating or screw down non return (SDNR) function. Metal sealing. Rising stem type.

MEDIA

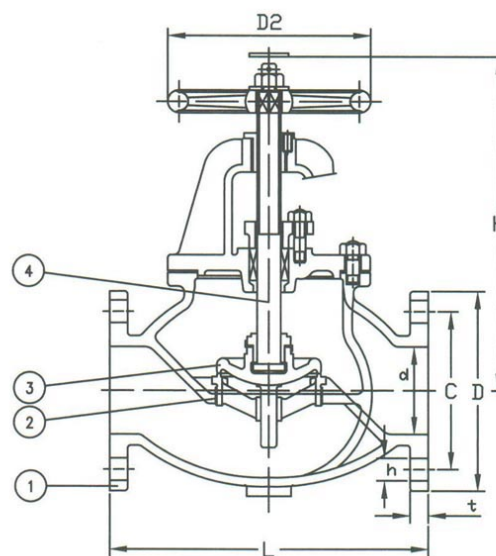
- Fuel oil, lubricating oil and flammable hydraulic oil. Cargo oil.
- Seawater and freshwater.

VARIANTS

- Screw down non return type

OPTIONS

Spring for SDNR.



No.	Part	Material	Specifications	
1	Body	Cast iron EN-JL1040 (GG25)	Standart:	JIS F7400
2	Seat	Bronze BC6	Flange standard:	JIS B2220-10K
3	Disc	Cast iron EN-JL1040 (GG25), Disc ring-Bronze BC6	Face to face standard:	JIS F7400
4	Stem	Brass	Bonnet connection:	Bolted
			Execution:	Straight
			Connection type:	Flanged
			Operation:	Handwheel
			Actuation:	Multiturn
			Tmax	120 °C

Dn	Pressure rating	Connection	L	D	C	N x h	H	D2	Weight (kg)
50	10K	10K	220	155	120	4 x 19	285	160	19,9
65	10K	10K	270	175	140	4 x 19	310	200	28,7
80	10K	10K	300	185	150	8 x 19	320	200	32,4
100	10K	10K	350	210	175	8 x 19	370	250	48,7
125	10K	10K	420	250	210	8 x 23	420	280	73,1
150	10K	10K	490	280	240	8 x 23	470	315	104
200	10K	10K	570	330	290	12 x 23	555	355	162