

# GLOBE VALVE CAST STEEL ANGLE JIS F7314

Материал steel GP240GH (GS-C25)

Налягане 20 K

Размер DN 32 - 200

## DESCRIPTION

Globe valve angle type, flanged connection with shut off, screw down non return (SDNR) or regulating function. Metal sealing. Rising stem type.

## MEDIA

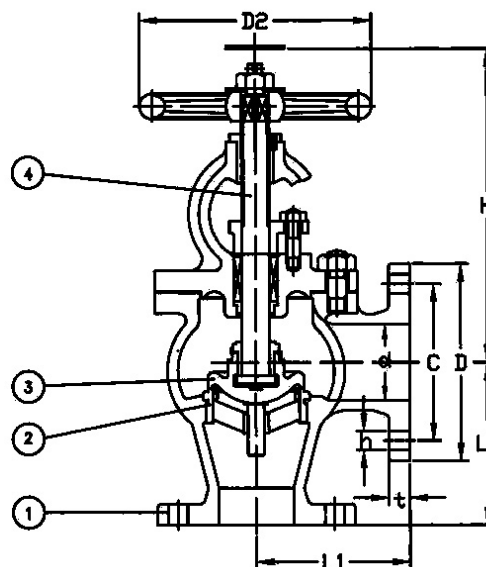
- Steam. Fuel oil, lubricating oil and flammable hydraulic oil. Cargo oil. Air. Non-flammable hydraulic fluid. Boiler feedwater, condensate.  
- Seawater and freshwater.

## APPLICATIONS

- Applications include cooling water systems and steam systems.

## VARIANTS AND ADVANTAGES

- Spring for SDNR



No.	Parts	Material
1	Body / Bonnet	Cast steel GP240GH (GSC25)
2	Seat	Stainless steel 1.4301
3	Disc	Stainless steel 1.4021
4	Stem	Stainless steel 1.4021
5	Handwheel	Cast iron (GG25)
6	Stem seal	Gland packing (Graphite)

Specifications	
Standart:	JIS F7400
Flange standard:	JIS B2220 20K
Face to face standard:	JIS B2002
Bonnet connection:	Bolted
Execution:	Angle
Connection type:	Flanged
Operation:	Handwheel / Rising stem
Actuation:	Multiturn
Tmax at 29 Bars	300 °C

# GLOBE VALVE CAST STEEL ANGLE JIS F7314

Материал steel GP240GH (GS-C25)

Налягане 20 K

Размер DN 32 - 200

Specifications	
Tmax at 34 Bars	120 °C

Dn	Pressure rating	Connection	L1	D	C	N x øh	H (open)	D2	Weight (kg)
32	20K	20K	100	135	100	4 x 19	250	140	13
40	20K	20K	110	140	105	4 x 19	265	160	15.2
50	20K	20K	125	155	120	8 x 19	275	160	20
65	20K	20K	135	175	140	8 x 19	305	180	26.9
80	20K	20K	150	200	160	8 x 23	340	200	38.9
100	20K	20K	170	225	185	8 x 23	385	225	54.4
125	20K	20K	200	270	225	8 x 25	440	250	79.9
150	20K	20K	225	305	260	12 x 25	485	300	111
200	20K	20K	280	350	305	12 x 25	540	400	181