

# GLOBE VALVE CAST STEEL ANGLE WITH CUTTINGS RINGS DS DIN86552 PN 100

Материал Кована steel

Налягане PN 100

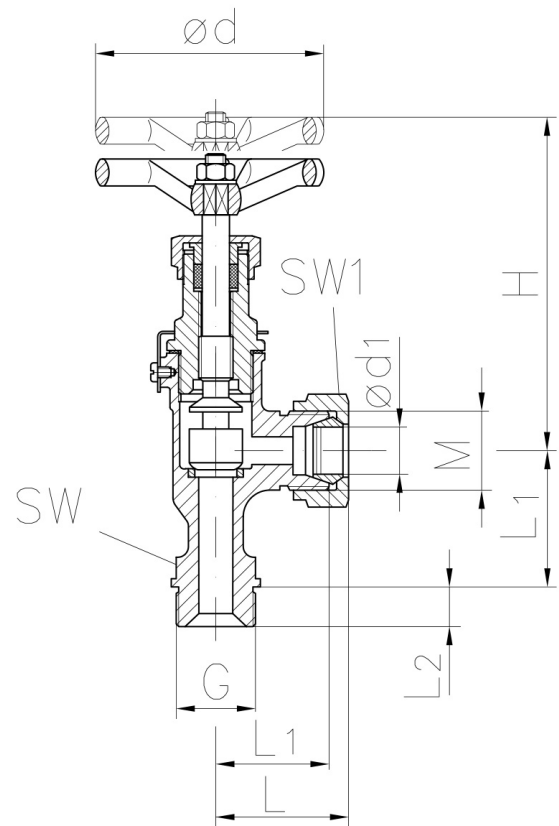
Размер DN 6 - 32

### APPLICATIONS

"Applications includes usage in Steam, Fuel oil, Oil, Neutral gases, Sea water, Cold and Hot water systems"

### VARIANTS AND ADVANTAGES

SDNR Valve DIN 86511-DSR



No.	Parts	Material
1	Body	Steel
2	Inner parts	Stainless steel 1.4104
3	Seat sealing	Metallic

### Specifications

Standart:	DIN 86511
Valve type:	DS
Plug:	Fix plug
Bonnet connection:	Scrwed secured bonnet
Execution:	Angle
Inlet conn. type:	Male thread
Outlet conn. type:	Cutting ring connection
Operation:	Handwheel

# GLOBE VALVE CAST STEEL ANGLE WITH CUTTINGS RINGS DS DIN86552 PN 100

Материал Кована steel

Налягане PN 100

Размер DN 6 - 32

Specifications	
Actuation:	Multiturn
Trange	-10 °C ÷ 300 °C

Dn	ød1	G	M	L	L1	L2	H	ød	Sw	Sw1	Kg
6	10	3/8	M18x1,5	39	30	12	140	60	19	27	0,6
8	12	1/2	M20x1,5	41	32	14	140	60	19	27	0,6
10	14	1/2	M22x1,5	44	33	14	140	60	-	-	0,6
12	16	3/4	M24x1,5	48	38	16	165	80	30	36	1,0
16	20	3/4	M30x2	51	40	16	165	80	30	41	1,1
20	25	1	M36x2	60	48	18	195	100	36	46	1,8
25	30	1 1/4	M42x2	63	50	20	195	100	41	50	2,1