

# GLOBE VALVE CAST STEEL ANGLE WITH WELDING RINGS DS DIN86551 PN 100

Материал Кована steel

Налягане PN 100

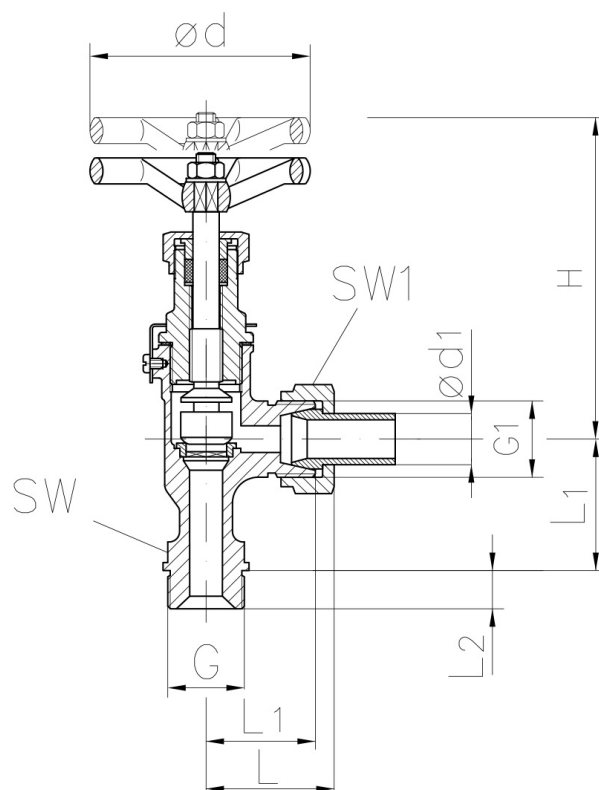
Размер DN 6 - 32

## APPLICATIONS

"Applications includes usage in Steam, Fuel oil, Oil, Neutral gases, Sea water, Cold and Hot water systems"

## VARIANTS AND ADVANTAGES

Acc. to DIN 86511-DSR



No.	Parts	Material
1	Body	Steel
2	Inner parts	Stainless steel 1.4104
3	Seat sealing	Metallic

Specifications	
Standart:	DIN 86511
Valve type:	DS
Plug:	Fix plug
Bonnet connection:	Scrwed secured bonnet
Execution:	Angle
Inlet conn. type:	Male thread
Outlet conn. type:	Welding end
Operation:	Handwheel

# GLOBE VALVE CAST STEEL ANGLE WITH WELDING RINGS DS DIN86551 PN 100

Материал Кована steel

Налягане PN 100

Размер DN 6 - 32

Specifications	
Actuation:	Multiturn
Trange	-10 °C ÷ 300 °C

Dn	ød1	G	G1	L	L1	L2	H	ød	Sw	Sw1	Kg
6	10	3/8	1/2	37	30	12	140	60	19	27	0,6
8	12	1/2	5/8	39	32	14	140	60	19	27	0,6
10	14	1/2	3/4	44	33	14	140	60	-	-	0,6
12	16	3/4	7/8	47	38	16	165	80	30	36	1,0
16	20	3/4	1	50	40	16	165	80	30	41	1,1
20	25	1	1 1/8	59	48	18	190	100	36	46	1,8
25	30	1 1/4	1 3/8	62	50	20	190	100	41	50	2,1