

GLOBE VALVE CAST STEEL STRAIGHT WITH CUTTINGS RINGS CS DIN86552 PN 100

Материал Кована steel

Налягане PN 100

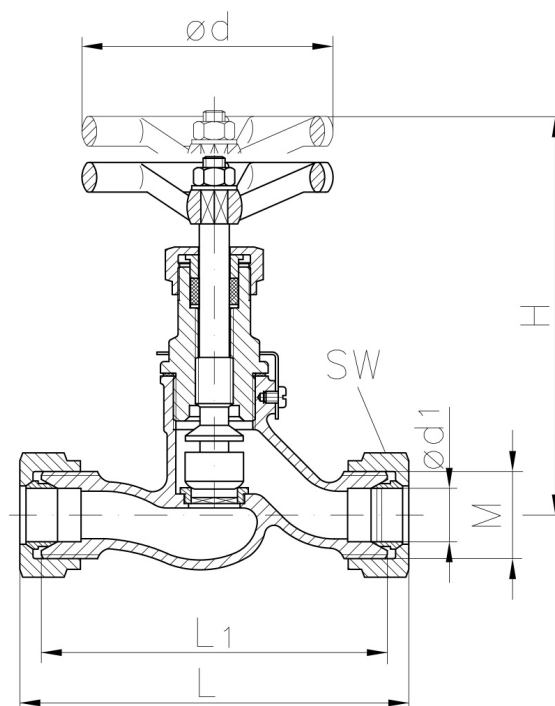
Размер DN 6 - 32

APPLICATIONS

"Applications includes usage in Steam, Fuel oil, Oil, Neutral gases, Sea water, Cold and Hot water systems"

VARIANTS AND ADVANTAGES

SDNR valve DIN 86551-CSR



No.	Parts	Material
1	Body	Steel
2	Inner parts	Stainless steel 1.4104
3	Seat sealing	Metallic

Specifications

Standart:	DIN 86551
Valve type:	CS
Plug:	Fix plug
Bonnet connection:	Scrwed secured bonnet
Execution:	Straight
Inlet conn. type:	Cutting ring connection
Outlet conn. type:	Cutting ring connection
Operation:	Handwheel
Actuation:	Multiturn
Trange	-10 °C ÷ 300 °C

GLOBE VALVE CAST STEEL STRAIGHT WITH CUTTINGS RINGS CS DIN86552 PN 100

Материал Кована steel

Налягане PN 100

Размер DN 6 - 32

Dn	ød1	M	L	L1	H	ød	Sw	Kg
6	10	M18x1,5	94	76	120	60	19	0,6
8	12	M20x1,5	94	76	120	60	19	0,6
10	14	M22x1,5	98	84	120	60	-	0,6
12	16	M24x1,5	116	96	135	80	30	1,0
16	20	M30x2	122	100	135	80	30	1,1
20	25	M36x2	146	120	160	100	36	1,8
25	30	M42x2	146	120	160	100	41	2,1
32	38	M52x2	196	180	180	120	-	3,2