

GLOBE VALVE CAST STEEL STRAIGHT WITH WELDING RINGS CS DIN86551 PN 100

Материал Кована steel

Налягане PN 100

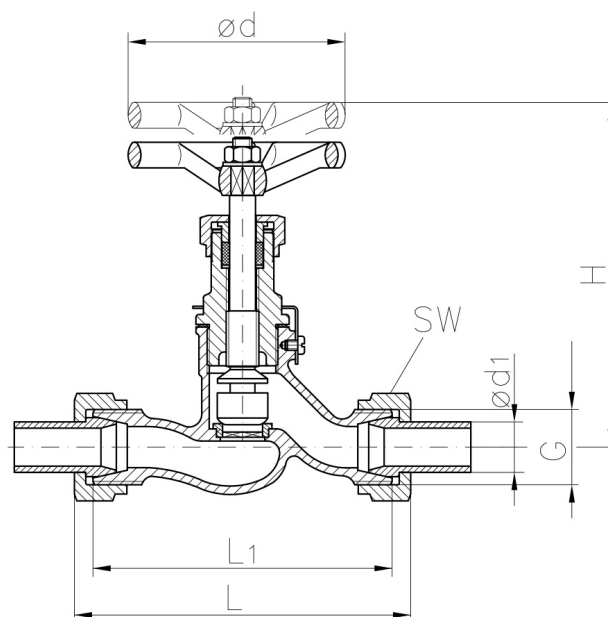
Размер DN 6 - 32

APPLICATIONS

"Applications includes usage in Steam, Fuel oil, Oil, Neutral gases, Sea water, Cold and Hot water systems"

VARIANTS AND ADVANTAGES

SDNR valve DIN 86551 type CRS



No.	Parts	Material
1	Body	Steel
2	Inner parts	Stainless steel 1.4104
3	Seat sealing	Metallic

Specifications

Standart:	DIN 86551
Valve type:	CS
Plug:	Fix plug
Bonnet connection:	Scrwed secured bonnet
Execution:	Straight
Inlet conn. type:	Welding ends
Outlet conn. type:	Welding ends
Operation:	Handwheel
Actuation:	Multiturn
Trange	-10 °C ÷ 300 °C

Dn	ød1	G	L	L1	H	ød	Sw	Kg
----	-----	---	---	----	---	----	----	----

GLOBE VALVE CAST STEEL STRAIGHT WITH WELDING RINGS CS DIN86551 PN 100

Материал Кована steel

Налягане PN 100

Размер DN 6 - 32

Dn	ød1	G	L	L1	H	ød	Sw	Kg
6	10	3/8	90	76	120	60	19	0,6
8	12	1/2	90	76	120	60	19	0,6
10	14	1/2	100	84	120	60	-	0,6
12	16	3/4	114	96	135	80	30	1,0
16	20	3/4	120	100	135	80	30	1,1
20	25	1	142	120	160	100	36	1,8
25	30	1 1/4	144	120	160	100	41	2,1
32	38	1 3/4	184	180	180	120	-	3,2