

# GLOBE VALVE SDNR STRAIGHT BRONZE WITH CUTTING RINGS CRS-RG-N; S DIN86502 PN 40

Материал bronze CC491K; DIN RG5 / forged  
 Налягане PN 40  
 Размер DN 6 - 32

## APPLICATIONS

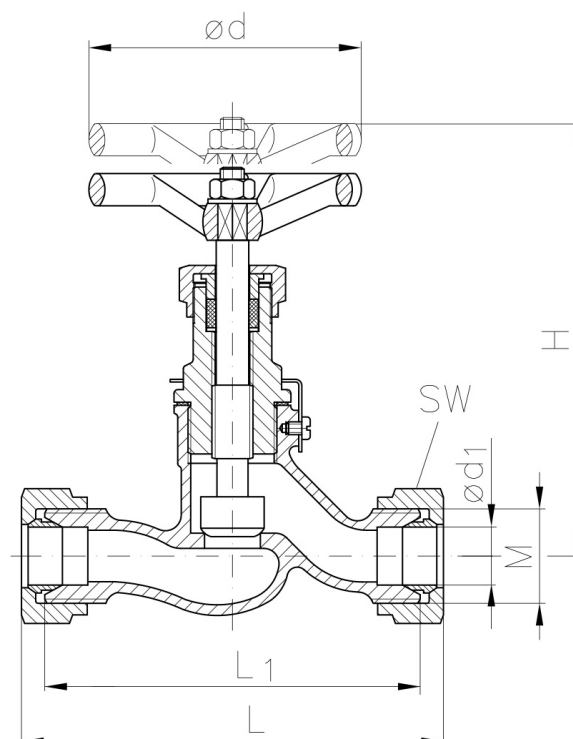
"Applications includes usage in Steam, Oil, Neutral gases, Sea water, Cold and Hot water systems"

## VARIANTS AND ADVANTAGES

Acc. to DIN 86501-CRS-RG-S

seawater resistant bonnet without brass inner parts

Other body materials on request



| No. | Parts        | Material     |
|-----|--------------|--------------|
| 1   | Body         | Gunmetal RG5 |
| 2   | Inner parts  | Brass Ms58   |
| 3   | Seat sealing | Metallic     |

| Specifications     |                                    |
|--------------------|------------------------------------|
| Standart:          | DIN 86502                          |
| Valve type:        | CRS-Rg-N; S                        |
| Plug:              | SDNR - Screw down non return Valve |
| Bonnet connection: | Scrwed secured bonnet              |
| Execution:         | Straight                           |
| Inlet conn. type:  | Cutting ring connection            |
| Outlet conn. type: | Cutting ring connection            |
| Operation:         | Handwheel                          |
| Actuation:         | Multiturn                          |

**GLOBE VALVE SDNR STRAIGHT BRONZE WITH CUTTING RINGS CRS-RG-N; S DIN86502 PN 40**

Материал bronze CC491K; DIN RG5 / forged  
 Налягане PN 40  
 Размер DN 6 - 32

| Specifications |                 |
|----------------|-----------------|
| Trange         | -10 °C ÷ 225 °C |

| Dn | ød1 | M       | L   | L1  | H   | ød  | Sw | Kg   |
|----|-----|---------|-----|-----|-----|-----|----|------|
| 6  | 10  | M18x1,5 | 78  | 60  | 110 | 60  | 22 | 0,4  |
| 8  | 12  | M20x1,5 | 82  | 64  | 110 | 60  | 24 | 0,4  |
| 10 | 14  | M22x1,5 | 88  | 70  | 110 | 60  | 30 | 0,4  |
| 12 | 16  | M24x1,5 | 104 | 84  | 130 | 80  | 30 | 0,7  |
| 16 | 20  | M30x2   | 112 | 90  | 130 | 80  | 36 | 0,8  |
| 20 | 25  | M36x2   | 134 | 110 | 150 | 100 | 46 | 01,3 |
| 25 | 30  | M42x2   | 146 | 120 | 150 | 100 | 50 | 1,5  |
| 32 | 38  | M52x2   | 168 | 140 | 180 | 120 | -  | 2,3  |