

# GLOBE VALVE STAINLESS STEEL STRAIGHT DIN 3202 F1, PN 16

Материал stainless steel 1.4408 (AISI 316)  
 Налягане PN 16  
 Размер DN 15 - 200

## DESCRIPTION

Globe valve straight type, flanged connection with shut off or screw down non return (SDNR) function. Metal sealing. Rising stem type.

### MEDIA

Corrosive fluids. Steam. Thermal oil. Fuel oil, lubricating oil and flammable hydraulic oil. Cargo oil. Non-flammable hydraulic fluid. Boiler feedwater, condensate. Seawater and freshwater.

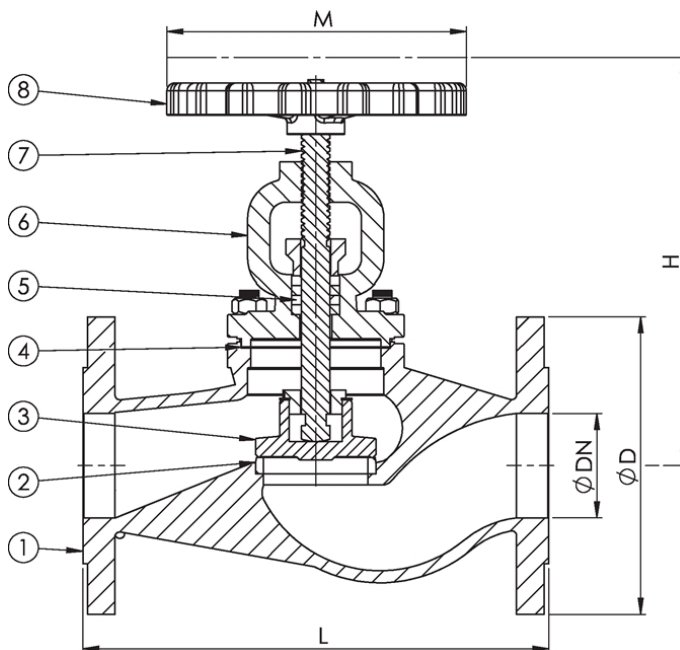
### OPTIONS

Spring for SDNR.

### VARIANTS

Regulating disc.

Screw down non return discs - SDNR



No.	Part	Material	Specifications	
1	Body	Stainless Steel 1.4408 (AISI 316)	Standart:	DIN 3202 F1
2	Seat	Stainless Steel 1.4401 (AISI 316)	Flange standard:	EN1092-2
3	Disc	Stainless Steel 1.4401 (AISI 316)	Face to face standard:	EN558, Series 1
4	Gasket	Graphite	Bonnet connection:	Bolted
5	Gland packing	Graphite	Execution:	Straight
6	Bonnet gasket	Stainless Steel 1.4408 (AISI 316)	Connection type:	Flanged
7	Stem	Stainless Steel 1.4401 (AISI 316)	Operation:	Handwheel
8	Handweel	Ductile iron EN-JS1040 (GG25)	Actuation:	Multiturn
			Tmax	350 °C

Dn	Pressure rating	Connection	L	D	P	N x d	H	M	Weight (kg)
15	16	16	130	95	65	4 x 14	165	120	3,9
20	16	16	150	105	75	4 x 14	165	120	4,3
25	16	16	160	115	85	4 x 14	180	140	5,4
32	16	16	180	140	100	4 x 18	180	140	7

# GLOBE VALVE STAINLESS STEEL STRAIGHT DIN 3202 F1, PN 16

Материал stainless steel1.4408 (AISI316)

Налягане PN 16

Размер DN 15 - 200

Dn	Pressure rating	Connection	L	D	P	N x d	H	M	Weight (kg)
40	16	16	200	150	110	4 x 18	215	160	9,5
50	16	16	230	165	125	4 x 18	230	160	12,9
65	16	16	290	185	145	4 x 18	245	180	17,4
80	16	16	310	200	160	8 x 18	295	210	24,5
100	16	16	350	220	180	8 x 18	325	225	34,7
125	16	16	400	250	210	8 x 18	360	250	52
150	16	16	480	285	240	8 x 22	425	300	78
200	16	16	600	340	295	12 x 22	505	400	247