

GLOBE VALVE STAINLESS STEEL STRAIGHT THREADED DIN, PN 25

Материал stainless steel 1.4408 (AISI316)

Налягане PN 25

Размер DN 8 - 50 ; 1/4" - 2"

DESCRIPTION

"Stainless steel globe valves with metal disc ring, BSP female threaded ends acc. to DIN 259, straight pattern, threaded bonnet, inside screwed stem and rising stainless steel "

APPLICATIONS

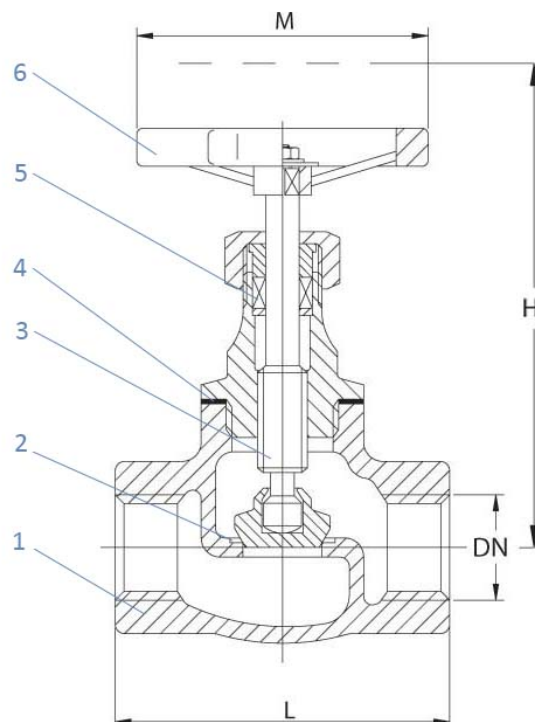
"Stainless steel valves are widely used in the chemical industry, hospital technology, paint industry and installations with aggressive media."

Cast steel 1.0619 / A234 WPB

VARIANTS AND ADVANTAGES

Position indicator

Body material:



No.	Parts	Material
1	Body	Stainless steel 1.4408
2	Seat	Stainless steel 1.4408
3	Stem	Stainless steel 1.4541
4	Bonnet gasket	PTFE
5	Gland sealing	Gland seal (PTFE)
6	Handwheel	Stainless steel

Specifications

Standart:	DIN
Thread standard:	Female thd. BSPP
Face to face standard:	Factory standard
Bonnet connection:	Screwed
Execution:	Straight
Connection type:	Thread
Operation:	Handwheel

GLOBE VALVE STAINLESS STEEL STRAIGHT THREADED DIN, PN 25

Материал stainless steel1.4408 (AISI316)

Налягане PN 25

Размер DN 8 - 50 ; 1/4" - 2"

Specifications	
Actuation:	Multiturn
Type of valve:	Fixed disc
Tmax at 5 Bars	205 °C

Bore	40°c	100°c	125°c	150°c	
DN 15 - 50	13,8	10	7	4	[bar]

Dn	Pressure rate	Thread bspp	L	H	M	Weight (kg)
8	PN 25	1/4"	52	102	58	0.54
10	PN 25	3/8"	52	102	58	0.54
15	PN 25	1/2"	52	102	58	0.54
20	PN 25	3/4"	60	113	58	0.84
25	PN 25	1"	72	123	86	1.25
32	PN 25	1 1/4"	80	148	86	1.66
40	PN 25	1 1/2"	90	160	98	2.02
50	PN 25	2"	106	180	98	3.4