

GLOBE VALVE STRAIGHT BRONZE WITH CUTTING RINGS AS-RG-N; S DIN86501 PN 40

Материал bronze CC491K; DIN RG5 / forged
 Налягане PN 40
 Размер DN 6 - 32

APPLICATIONS

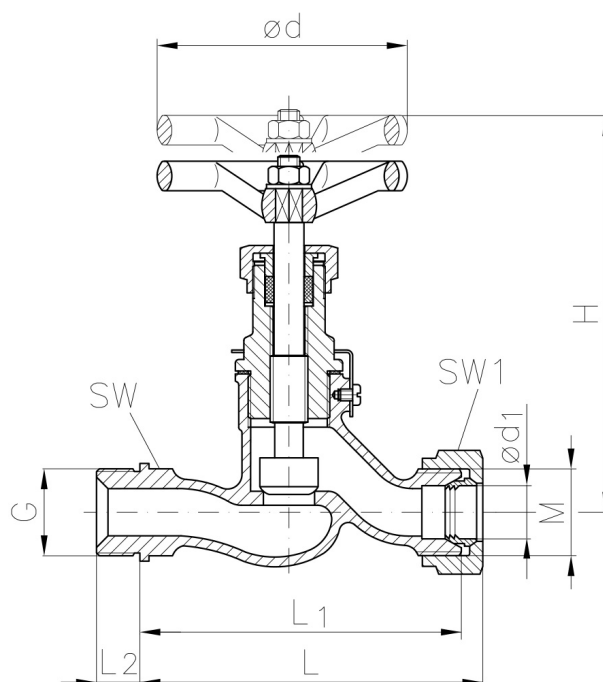
"Applications includes usage in Steam, Oil, Neutral gases, Sea water, Cold and Hot water systems"

VARIANTS AND ADVANTAGES

Acc. to DIN 86511-AS-RG-S

seawater resistant bonnet without brass inner parts

Other body materials on request



No.	Parts	Material
1	Body	Gunmetal RG5
2	Inner parts	Brass Ms58
3	Seat sealing	Metallic

Specifications	
Standart:	DIN 86511
Valve type:	AS-Rg-N; S
Plug:	Fix plug
Bonnet connection:	Scrwed secured bonnet
Execution:	Straight
Inlet conn. type:	Male thread
Outlet conn. type:	Cutting ring connection
Operation:	Handwheel
Actuation:	Multiturn
Trange	

GLOBE VALVE STRAIGHT BRONZE WITH CUTTING RINGS AS-RG-N; S DIN86501 PN 40

Материал bronze CC491K; DIN RG5 / forged

Налягане PN 40

Размер DN 6 - 32

Dn	∅d1	R	M	L	L1	L2	H	∅d	Sw	Sw1	Kg
6	10	3/8	M18x1,5	69	60	12	110	60	17	22	0,4
8	12	1/2	M20x1,5	73	64	14	110	60	19	24	0,4
10	14	1/2	M22x1,5	79	70	14	110	60	24	30	0,4
12	16	3/4	M24x1,5	94	87	16	130	80	24	30	0,7
16	20	3/4	M30x2	101	90	16	130	80	24	36	0,8
20	25	1	M36x2	122	110	18	150	100	30	46	1,3
25	30	1 1/4	M42x2	133	120	20	150	100	41	50	1,5
32	38	1 1/2	M52x2	154	140	22	180	120	-	-	2,3