

GLOBE VALVE STRAIGHT BRONZE WITH CUTTING RINGS CS-RG-N; S DIN86501 PN 40

Материал bronze CC491K; DIN RG5 / forged
 Налягане PN 40
 Размер DN 6 - 32

APPLICATIONS

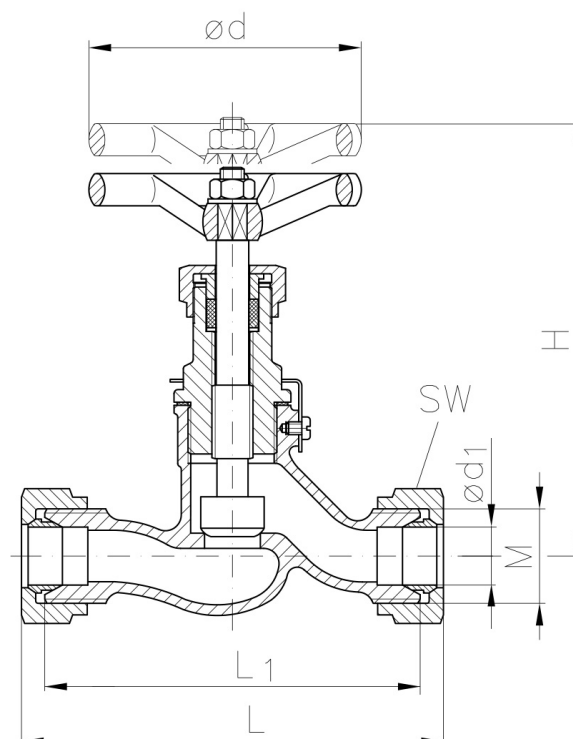
"Applications includes usage in Steam, Oil, Neutral gases, Sea water, Cold and Hot water systems"

VARIANTS AND ADVANTAGES

Acc. to DIN 86501-CS-RG-S

seawater resistant bonnet without brass inner parts

Other body materials on request



No.	Parts	Material
1	Body	Gunmetal RG5
2	Inner parts	Brass Ms58
3	Seat sealing	Metallic

Specifications

Standart:	DIN 86501
Valve type:	CR-Rg-N; S
Plug:	Fix plug
Bonnet connection:	Scrwed secured bonnet
Execution:	Straight
Inlet conn. type:	Cutting ring connection
Outlet conn. type:	Cutting ring connection
Operation:	Handwheel
Actuation:	Multiturn

GLOBE VALVE STRAIGHT BRONZE WITH CUTTING RINGS CS-RG-N; S DIN86501 PN 40

Материал bronze CC491K; DIN RG5 / forged
 Налягане PN 40
 Размер DN 6 - 32

Specifications	
Trange	-10 °C ÷ 225 °C

Dn	ød1	M	L	L1	H	ød	Sw	Kg
6	10	M18x1,5	78	60	110	60	22	0,4
8	12	M20x1,5	82	64	110	60	24	0,4
10	14	M22x1,5	88	70	110	60	30	0,4
12	16	M24x1,5	104	84	130	80	30	0,7
16	20	M30x2	112	90	130	80	36	0,8
20	25	M36x2	134	110	150	100	46	01,3
25	30	M42x2	146	120	150	100	50	1,5
32	38	M52x2	168	140	180	120	-	2,3