

GLOBE VALVE STRAIGHT BRONZE WITH WELDING RINGS AS-RG-N; S DIN86511 PN 40

Материал bronze CC491K; DIN RG5 / forged
 Налягане PN 40
 Размер DN 6 - 32

APPLICATIONS

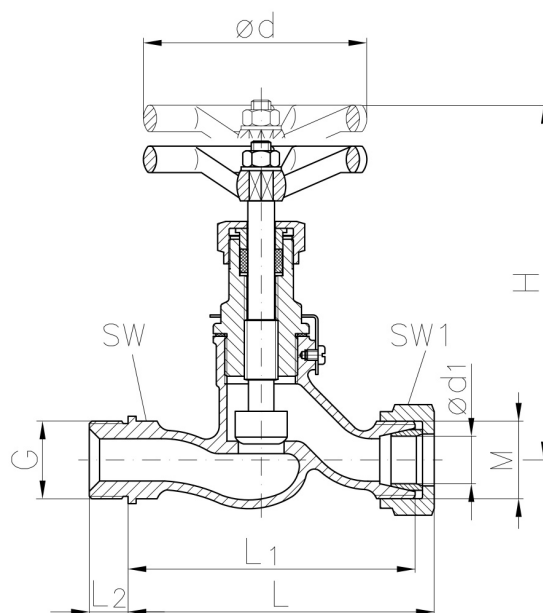
"Applications includes usage in Steam, Oil, Neutral gases, Sea water, Cold and Hot water systems"

VARIANTS AND ADVANTAGES

Acc. to DIN 86511-AS-RG-S

seawater resistant bonnet without brass inner parts

Other body materials on request



No.	Parts	Material
1	Body	Gunmetal RG5
2	Inner parts	Brass Ms58
3	Seat sealing	Metallic

Specifications	
Standart:	DIN 86511
Valve type:	AS-Rg-N; S
Plug:	Fix plug
Bonnet connection:	Scrwed secured bonnet
Execution:	Straight
Inlet conn. type:	Male thread
Outlet conn. type:	Soldering ring connection
Operation:	Handwheel
Actuation:	Multiturn
Trange	-10 °C ÷ 225 °C

Dn	ød1	R	R1	L	L1	L2	H	ød	Sw	Sw1	Kg		
----	-----	---	----	---	----	----	---	----	----	-----	----	--	--

GLOBE VALVE STRAIGHT BRONZE WITH WELDING RINGS AS-RG-N; S DIN86511 PN 40

Материал bronze CC491K; DIN RG5 / forged

Налягане PN 40

Размер DN 6 - 32

Dn	ød1	R	R1	L	L1	L2	H	ød	Sw	Sw1	Kg		
6	10	3/8	1/2	67	60	12	110	60	17	27	0,5		
8	12	1/2	5/8	71	64	14	110	60	19	27	0,5		
10	14	1/2	3/4	78	70	14	110	60	24	36	0,5		
12	16	3/4	7/8	93	84	16	130	80	24	36	1,0		
16	20	3/4	1	100	90	16	130	80	24	41	1,1		
20	25	1	1 1/8	121	110	18	150	100	30	46	1,7		
25	30	1 1/4	1 3/8	132	120	20	150	100	41	50	1,9		
32	38	1 1/2	1 3/4	154	140	22	180	120	-	-	3,0		