

GLOBE VALVE STRAIGHT BRONZE WITH WELDING RINGS CS-RG-N; S DIN86511 PN 40

Материал bronze CC491K; DIN RG5 / forged
 Налягане PN 40
 Размер DN 6 - 32

APPLICATIONS

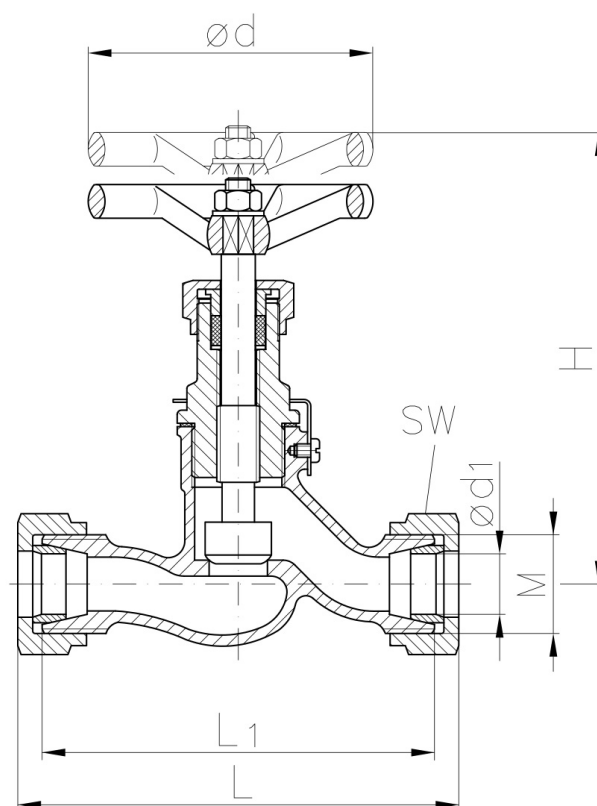
"Applications includes usage in Steam, Oil, Neutral gases, Sea water, Cold and Hot water systems"

VARIANTS AND ADVANTAGES

Acc. to DIN 86511-CS-RG-S

seawater resistant bonnet without brass inner parts

Other body materials on request



No.	Parts	Material
1	Body	Gunmetal RG5
2	Inner parts	Brass Ms58
3	Seat sealing	Metallic

Specifications	
Standart:	DIN 86511
Valve type:	CR-Rg-N; S
Plug:	Fix plug
Bonnet connection:	Scrwed secured bonnet
Execution:	Straight
Inlet conn. type:	Soldering ring
Outlet conn. type:	Soldering ring
Operation:	Handwheel

GLOBE VALVE STRAIGHT BRONZE WITH WELDING RINGS CS-RG-N; S DIN86511 PN 40

Материал bronze CC491K; DIN RG5 / forged

Налягане PN 40

Размер DN 6 - 32

Specifications	
Actuation:	Multiturn
Trange	-10 °C ÷ 225 °C

Dn	ød1	R	L	L1	H	ød	Sw	Kg
6	10	1/2	74	60	110	60	22	0,5
8	12	5/8	78	64	110	60	24	0,5
10	14	3/4	88	70	110	60	30	0,5
12	16	7/8	102	87	130	80	30	1,0
16	20	1	110	90	130	80	36	1,1
20	25	1 1/8	132	110	150	100	46	1,7
25	30	1 3/8	144	120	150	100	50	1,9
32	38	1 3/4	164	140	180	120	-	3,0