

# GLOBE VALVE STRAIGHT BRONZE WITH WELDING RINGS DRS-RG-N; S DIN86512 PN 40

Материал bronze CC491K; DIN RG5 / forged  
 Налягане PN 40  
 Размер DN 6 - 32

## APPLICATIONS

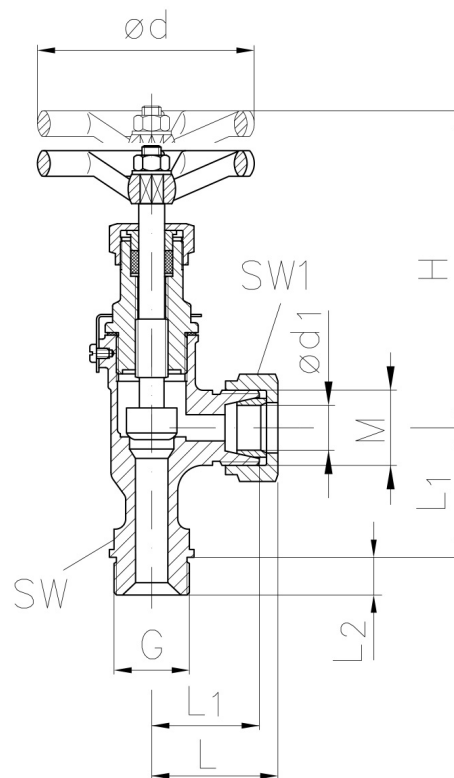
"Applications includes usage in Steam, Oil, Neutral gases, Sea water, Cold and Hot water systems"

## VARIANTS AND ADVANTAGES

Acc. to DIN 86512-DRS-RG-S

seawater resistant bonnet without brass inner parts

Other body materials on request



No.	Parts	Material
1	Body	Gunmetal RG5
2	Inner parts	Brass Ms58
3	Seat sealing	Metallic

Specifications	
Standart:	DIN 86512
Valve type:	DRS-Rg-N; S
Plug:	SDNR - Screw down non return Valve
Bonnet connection:	Scrwed secured bonnet
Execution:	Angle
Inlet conn. type:	Male thread
Outlet conn. type:	Soldering ring
Operation:	Handwheel

# GLOBE VALVE STRAIGHT BRONZE WITH WELDING RINGS DRS-RG-N; S DIN86512 PN 40

Материал bronze CC491K; DIN RG5 / forged

Налягане PN 40

Размер DN 6 - 32

Specifications	
Actuation:	Multiturn
Trange	-10 °C ÷ 225 °C

Dn	ød1	R	M	L	L1	L2	H	ød	Sw	Sw1	Kg
6	10	3/8	M18x1,5	39	30	12	105	60	17	22	0,4
8	12	1/2	M20x1,5	41	32	14	105	60	19	24	0,4
10	14	1/2	M22x1,5	44	35	14	105	60	19	30	0,4
12	16	3/4	M24x1,5	48	38	16	115	80	24	30	0,7
16	20	3/4	M30x2	51	40	16	115	80	24	36	0,8
20	25	1	M36x2	60	48	18	135	100	30	46	1,3
25	30	1 1/4	M42x2	63	50	20	130	100	41	50	1,4
32	38	1 1/2	M52x2	69	55	22	150	120	-	-	2,3