

GLOBE VALVE STRAIGHT BRONZE WITH WELDING RINGS DS-RG-N; S DIN86511 PN 40

Материал bronze CC491K; DIN RG5 / forged
 Налягане PN 40
 Размер DN 6 - 32

APPLICATIONS

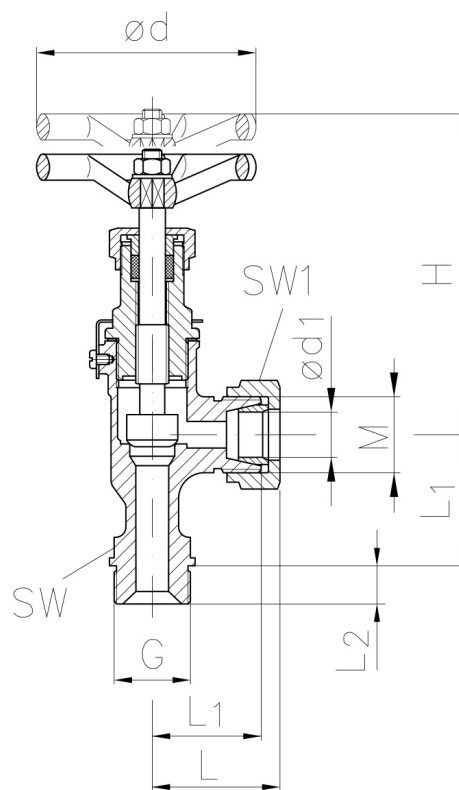
"Applications includes usage in Steam, Oil, Neutral gases, Sea water, Cold and Hot water systems"

VARIANTS AND ADVANTAGES

Acc. to DIN 86511-DS-RG-S

seawater resistant bonnet without brass inner parts

Other body materials on request



No.	Parts	Material
1	Body	Gunmetal RG5
2	Inner parts	Brass Ms58
3	Seat sealing	Metallic

Specifications	
Standart:	DIN 86511
Valve type:	DS-Rg-N; S
Plug:	Fix plug
Bonnet connection:	Scrwed secured bonnet
Execution:	Angle
Inlet conn. type:	Male thread
Outlet conn. type:	Soldering ring
Operation:	Handwheel
Actuation:	Multiturn

GLOBE VALVE STRAIGHT BRONZE WITH WELDING RINGS DS-RG-N; S DIN86511 PN 40

Материал bronze CC491K; DIN RG5 / forged
 Налягане PN 40
 Размер DN 6 - 32

Specifications	
Trange	-10 °C ÷ 225 °C

Dn	ød1	R	R1	L	L1	L2	H	ød	Sw	Sw1	Kg
6	10	3/8	1/2	37	30	12	105	60	17	27	0,5
8	12	1/2	5/8	39	32	14	105	60	19	27	0,5
10	14	1/2	3/4	43	35	14	105	60	19	27	0,5
12	16	3/4	7/8	47	38	16	115	80	24	36	1,0
16	20	3/4	1	50	40	16	115	80	24	41	1,1
20	25	1	1 1/8	59	48	18	135	100	30	46	1,7
25	30	1 1/4	1 3/8	62	50	20	130	100	41	50	1,9
32	38	1 1/2	1 3/4	67	55	22	150	120	-	-	3,0