

GLOBE VALVE TYPE 01311 WITH EXTENDED STEM AND TROTHLING VALVE WITH SOLDERED COPPER ENDS

Материал bronze CC491K

Налягане PN 50

Размер DN 10 - 50

ТЕХНИЧЕСКО ОПИСАНИЕ

Type 01311 - Globe Valve

Cryogenic-Globe and Globe/Check Valves, PN50

Bronze body and topwork

- live loaded gland packing
- cleaned and degreased for oxygen service

- Part No. 01311.X.0018 (H=270mm)

- Part No. 01311.X.0028 (H=370mm)

- Part No. 01311.X.5018 (H=270mm) Globe/Check Valve

- Part No. 01311.X.5028 (H=370mm) Globe/Check Valve

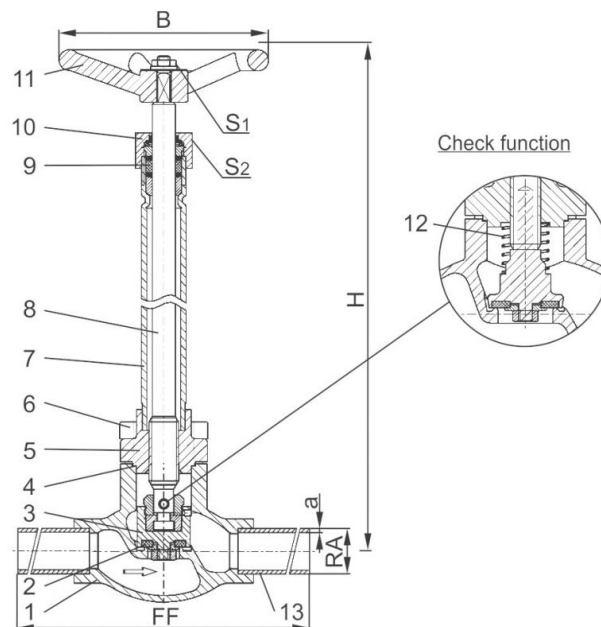
Socket end for copper pipes acc. to DIN EN 12449 or ASTM B88

РАБОТЕН ФЛУИД / СРЕДА

Approved for air gases, vapours and cryogenic liquefied gases incl. LNG.

ОПЦИИ

- Socket end for stainless steel stubs acc. to ISO 1127
- Extension H up to 900mm
- Valve with control disc (tapered design)



GLOBE VALVE TYPE 01311 WITH EXTENDED STEM AND TROTHLING VALVE WITH SOLDERED COPPER ENDS

Материал bronze CC491K

Налягане PN 50

Размер DN 10 - 50

№	Materials	Din en	Astm
1	Body	CC491K	B 62 UNS C83600
2	Valve seal	PTFE / Carbon filled (25%)	
3	Disc	CW614N	B 283 UNS C38500
4	Bonnet gasket	PTFE	
5	Headpiece	CC493K	B 505 UNS C93200
6	Bolts	1.4301/A2 A 194 B8	
7	Elongation tube	1.4541	A213 TP 321
8	Stem	1.4301	A 276 Grade 304
9	Gland packing	Graphite / PTFE	
10	Gland nut	CW614N	B 283 UNS C38500
11	Handwheel	Aluminium alloy	
12	Spring	CW452K	B 159 UNS C51900
13	Copper stubs	CW024A	B 152 UNS C12200

Specifications	
Type 05412	Криогенен възвратен вентил PN 50
Connection standard	запоени медни краища
Face to face lenght	заводска нормала
Cover connection	фланцево
Body type	Straight
Connection ends	на челна заварка
Actuation	ръчно
Working temp. [°C],	-196 °C to +120 °C
Recommended working temp. [°C],	-60°C to +120 °C

Type 01311 - standard design / technical data								
Nominal size	DN	10	15	20	25	32	40	50
Dimension code	.X.	X=DNRA. Example: valve DN15 for copper stub RA018mm. X=1518						
Face-to-face dimension	FF	60	85	85	115	115	140	160
Height	H	270mm or 370mm						

**GLOBE VALVE TYPE 01311 WITH EXTENDED
STEM AND TROTHLING VALVE WITH
SOLDERED COPPER ENDS**

Материал bronze CC491K

Налягане PN 50

Размер DN 10 - 50

Type 01311 - standard design / technical data								
Outside pipe-Ø	RA	dependent on order						
Socket depth	b	6	6	8	8	10	13	20
Handwheel-Ø	B	100	100	100	100	125	125	125
Wrench size across flats	St	7	7	7	7	10	10	10
Wrench size across flats	S2	30	30	30	30	36	36	36
Weight	ca. kg	1.4	1.7	2.1	2.4	3.3	4.7	7.2
Kvs-Value	m ³ /h	1.6	4.3	6.7	11.5	12.1	22.6	37.1
Cv-Value	gal/min	1.9	5.0	7.8	13.4	14.1	26.3	43.2