

GLOBE VALVE TYPE 02401 UNION CONNECTION WITH BRASS BUTT WELD ENDS

Материал bronze CC491K

Налягане PN 50

Размер DN 10 - 50

ТЕХНИЧЕСКО ОПИСАНИЕ

Type 02401 - Globe Valve
Cryogenic-Globe and Globe/Check Valves, PN50

Bronze body and topwork,

- live loaded gland packing
- cleaned and degreased for oxygen service

Part No. 02401.X.0008

Part No. 02401.X.5008 Globe/Check Valve

Completed with union type braze fittings for copper pipes
acc. to DIN EN 12449 or ASTM B88

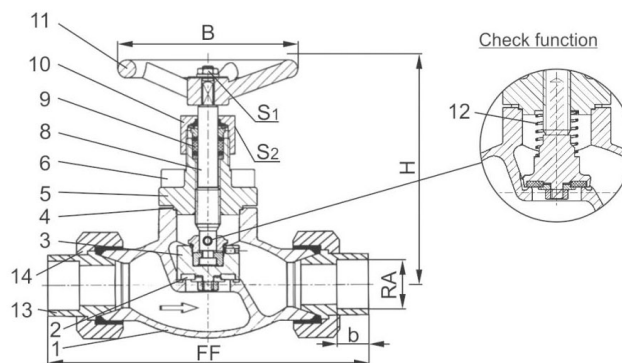
РАБОТЕН ФЛУИД / СРЕДА

- Approved for air gases, vapours and cryogenic liquefied gases incl. LNG.

ОПЦИИ

Available options - on request only:

- Valve with control disc (tapered design)



№	Materials	Din en	Astm
1	Body	CC491K	B 62 UNS C83600
2	Valve seal	PTFE / Carbon filled (25%)	
3	Disc	CW614N	B 283 UNS C38500
4	Bonnet gasket	PTFE	
5	Headpiece	CC493K	B 505 UNS C93200
6	Bolts	1.4301/A2 A 194 B8	
8	Stem	1.4301	A 276 Grade 304
9	Gland packing	Graphite / PTFE	
10	Gland nut	CW614N	B 283 UNS C38500
11	Handwheel	Aluminium alloy	
12	Spring	CW452K	B 159 UNS C51900
13	Braze fitting	CC493K	B 505 UNS C93200
14	Union nut	CC493K	B 505 UNS C93200

GLOBE VALVE TYPE 02401 UNION CONNECTION WITH BRASS BUTT WELD ENDS

Материал bronze CC491K

Налягане PN 50

Размер DN 10 - 50

Specifications	
Type 02401	Криогенен globe valve PN 50
Connection standard	резбови за холендрова връзка
Face to face lenght	заводска нормала
Cover connection	фланцево
Body type	Straight
Connection ends	чрез холендрова връзка
Actuation	Multiturn
Working temp. [°C]	-196 °C to +120 °C
Recommended working temp. [°C]	-60°C to +120 °C

Type 02401 - standard design technical data									
Nominal size	DN	10	10	20	20	32	32	40	50
Dimension code	X.	1012	1015	1518	2022	2528	3235	4042	5054
Face-to-face dimension	FF	98	98	132	132	171	171	230	230
Height	H	140	140	140	140	170	170	175	200
Outside pipe-0	RA	12.0	15.0	18.0	22.0	28.0	35.0	42.0	54.0
Socket depth	b	11	11	14	14	17	17	17	17
Handwheel-0	B	100	100	100	100	125	125	125	125
Wrench size across flats	S1	7	7	7	7	10	10	10	10
Wrench size across flats	S2	30	30	30	30	36	36	36	36
Weight	ca. kg	1.2	1.2	2.4	2.4	4.0	4.0	6.3	9.5
Kvs-Value	m ³ /h	1.6	2.2	6.0	6.7	11.5	12.1	22.6	37.1
Cv-Value	gal/min	1.9	2.6	7.1	7.8	13.4	14.1	26.3	43.2