

# GLOBE VALVE TYPE 02401 UNION CONNECTION WITH STAINLES STEEL BUTT WELD ENDS

Материал bronze CC491K

Налягане PN 50

Размер DN 10 - 50

## ТЕХНИЧЕСКО ОПИСАНИЕ

Type 02401 - Globe Valve  
Cryogenic-Globe and Globe/Check Valves, PN50

Bronze body and topwork,

- live loaded gland packing
- cleaned and degreased for oxygen service
- Part No. 02401.X.0007
- Part No. 02401.X.5007 Globe/Check Valve

Completed with union type butt weld fittings for stainless steel pipes acc. to ISO 1127 or ASTM A312

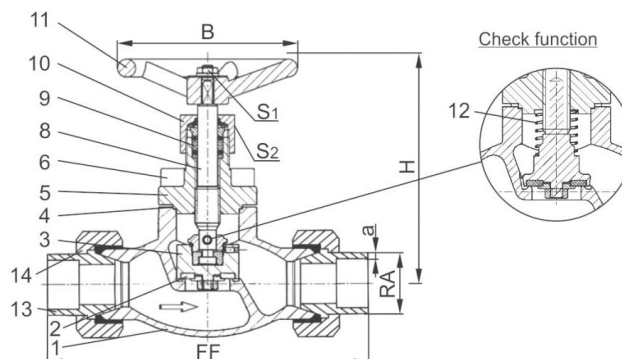
## РАБОТЕН ФЛУИД / СРЕДА

Approved for air gases, vapours and cryogenic liquefied gases incl. LNG.

## ОПЦИИ

Available options - on request only:

- Valve with control disc (tapered design)
- Further pipe wall thicknesses



|   | Materials     |  | Din en                     | Astm             |
|---|---------------|--|----------------------------|------------------|
| 1   | Body          |  | CC491K                     | B 62 UNS C83600  |
| 2   | Valve seal    |  | PTFE / Carbon filled (25%) |                  |
| 3   | Disc          |  | CW614N                     | B 283 UNS C38500 |
| 4   | Bonnet gasket |  | PTFE                       |                  |
| 5   | Headpiece     |  | CC493K                     | B 505 UNS C93200 |
| 6   | Bolts         |  | 1.4301/A2 A 194 B8         |                  |
| 8   | Stem          |  | 1.4301                     | A 276 Grade 304  |
| 9   | Gland packing |  | Graphite / PTFE            |                  |
| 10  | Gland nut     |  | CW614N                     | B 283 UNS C38500 |
| 11  | Handwheel     |  | Aluminium alloy            |                  |
| 12  | Spring        |  | CW452K                     | B 159 UNS C51900 |
| 13  | Weld fitting  |  | 1.4301                     | A 276 Grade 304  |
| 14  | Union nut     |  | CC493K                     | B 505 UNS C93200 |
| Standard marking acc. to Pressure Equipment |               |  |                            |                  |

# GLOBE VALVE TYPE 02401 UNION CONNECTION WITH STAINLES STEEL BUTT WELD ENDS

Материал bronze CC491K

Налягане PN 50

Размер DN 10 - 50

| Globe valves  |
|---|
| Type 02401 - Globe Valve  |
| Cryogenic-Globe and Globe/Check Valves, PN50  |
| HEROSE  |
| Bronze body and topwork,  |
| " live loaded" gland packing  |
| "cleaned and degreased for oxygen service   |
| Part No. 02401.X.0007   |
| Part No. 02401.X.5007 Globe/Check Valve   |
| Completed with union type butt weld fittings for stainless steel pipes<br>acc. to ISO 1127 or ASTM A312 |
| Available options - on request only:  |
| ? Valve with control disc (tapered design)  |
| ? Further pipe wall thicknesses   |

| Nominal size                  | Dn     | 10                               | 10    | 20    | 20    | 32    | 32    | 40    | 50    |
|-------------------------------|--------|----------------------------------|-------|-------|-------|-------|-------|-------|-------|
| Dimension code                | X.     | 1012                             | 1017  | 1521  | 2027  | 2533  | 3242  | 4048  | 5060  |
| Face-to-face dimension        | FF     | 137                              | 141   | 168   | 168   | 203   | 203   | 230   | 263   |
| Height                        | H      | 140                              | 140   | 140   | 140   | 170   | 170   | 175   | 200   |
| Outside pipe-0 ISO 1127       | RA     | 12.0                             | 17.2  | 21.3  | 26.9  | 33.7  | 42.4  | 48.3  | 60.3  |
| Wall thickness pipe ISO 1127  | a      | 1.0                              | 2.3   | 2.6   | 2.0   | 3.2   | 2.0   | 3.6   | 3.6   |
| Outside pipe-0 ASTM A312      | RA     | -                                | 17.15 | 21.34 | 26.67 | 33.40 | 42.16 | 48.26 | 60.33 |
| Wall thickness pipe ASTM A312 | a      | dimensions acc. to<br>S10 or S40 |       |       |       |       |       |       |       |
| Handwheel-0                   | B      | 100                              | 100   | 100   | 100   | 125   | 125   | 125   | 125   |
| Wrench size across flats      | S1     | 7                                | 7     | 7     | 7     | 7     | 10    | 10    | 10    |
| Wrench size across flats      | S2     | 30                               | 30    | 30    | 30    | 36    | 36    | 36    | 36    |
| Weight                        | ca. kg | 1.2                              | 1.2   | 2.4   | 2.4   | 4.0   | 4.0   | 6.3   | 9.5   |

**GLOBE VALVE TYPE 02401 UNION  
CONNECTION WITH STAINLES STEEL BUTT  
WELD ENDS**

Материал bronze CC491K

Налягане PN 50

Размер DN 10 - 50

| Nominal size      | Dn                | 10  | 10  | 20  | 20  | 32   | 32   | 40   | 50   |
|-------------------|-------------------|-----|-----|-----|-----|------|------|------|------|
| Kvs-Value         | m <sup>3</sup> /h | 1.6 | 2.2 | 6.7 | 6.7 | 12.1 | 12.1 | 22.6 | 37.1 |
| Cv-Value          | gal/min           | 1.9 | 2.6 | 7.8 | 7.8 | 14.1 | 14.1 | 26.3 | 43.2 |
| Dimensions in mm. |                   |     |     |     |     |      |      |      |      |