

GLOBE VALVE TYPE 02411 UNION CONNECTION

Материал bronze CC491K

Налягане PN 50

Размер DN 10 - 50

ТЕХНИЧЕСКО ОПИСАНИЕ

Type 02411 - Globe Valve
Cryogenic-Globe and Globe/Check Valves, PN50

Bronze body and topwork,

- live loaded ? gland packing
- cleaned and degreased for oxygen service ?

PartNo. 02411.X.0011 (H=270mm)

PartNo. 02411.X.0021 (H=370mm)

PartNo. 02411.X.5011 (H=270mm)Globe/CheckValve

PartNo. 02411.X.5021 (H=370mm)Globe/CheckValve

Male thread for union connection

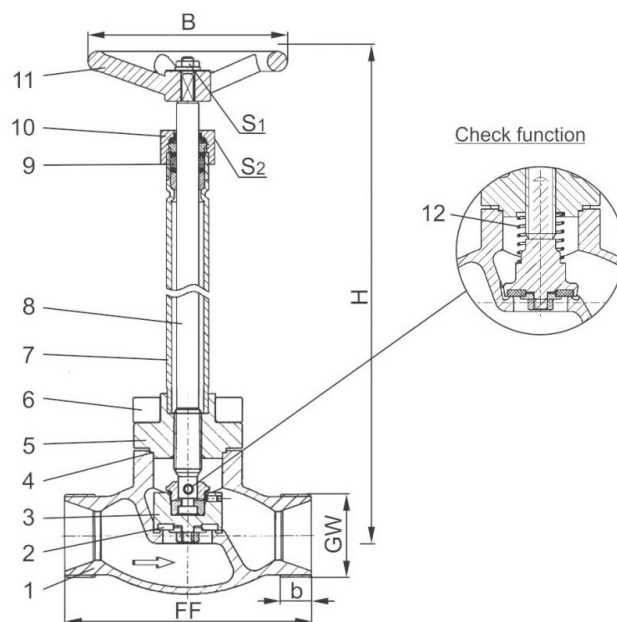
РАБОТЕН ФЛУИД / СРЕДА

Approved for air gases, vapours and cryogenic liquefied gases incl. LNG.

ОПЦИИ

Only at request

- Extension H up to 900mm
- Valve with control disc (tapered design)



№	Materials	Din en	Astm
1	Body	CC491K	B 62 UNSC83600
2	Valve seal	PTFE / Carbon filled (25%)	
3	Disc	CW614N	B 283 UNS C38500
4	Bonnet gasket	PTFE	
5	Headpiece	CC493K	B 505 UNS C93200
6	Bolts	1.4301/A2 A194B8	
7	Elongation tube	1.4541	A 213 TP 321
8	Stem	1.4301	A 276 Grade 304
9	Gland packing	Graphite / PTFE	
10	Gland nut	CW614N	B 283 UNS C38500
11	Handwheel	Aluminium alloy	
12	Spring	CW452K	B 159 UNS C51900

GLOBE VALVE TYPE 02411 UNION CONNECTION

Материал bronze CC491K

Налягане PN 50

Размер DN 10 - 50

спецификация	
Тип 05412	Криогенен възвратен вентил PN 50
Присъединителни краища	на заварка
Строителна дължина	заводска нормала
Присъединяване капака	фланцево
Изпълнение	прав
Присъединяване	на заварка
Задвижване	самостоятелно
Работна темп. [°C]	-196 °C до +120 °C
Препоръчителна темп. [°C]	-60°C до +120 °C

Type 02411 - standard design, technical data						
Nominal size	DN	10	20	32	40	50
Dimension code	.X.	0100	0200	0320	0400	0500
Face-to-face dimension	FF	60	85	115	140	160
Height	H	270 mm or 370 mm				
Union thread	GW	M26x1.5	M40x2.0	M55x2.0	M65x2.0	M78x2.0
Thread length	b	10	11	14	17	20
Handwheel-0	B	100	100	125	125	125
Wrench size across flats	S1	7	7	10	10	10
Wrench size across flats	S2	30	30	36	36	36
Weight	ca. kg	1.4	2.1	3.3	4.7	7.2
Kvs-Value	m ³ /h	2.2	6.7	12.1	22.6	37.1
Cv-Value	gal/min	2.6	7.8	14.1	26.3	43.2
Dimensions in mm.						