

GLOBE VALVE TYPE 02411 UNION CONNECTION WITH STAINLESS STEEL ENDS FOR SOLDERING

Материал bronze CC491K

Налягане PN 50

Размер DN 10 - 50

ТЕХНИЧЕСКО ОПИСАНИЕ

Type 02411 - Globe Valve
Cryogenic-Globe and Globe/Check Valves, PN50

Bronze body and topwork,

- live loaded gland packing
- cleaned and degreased for oxygen service
- Part No. 02411.X.0017 (H=270mm)
- Part No. 02411.X.0027 (H=370mm)
- Part No. 02411.X.5017 (H=270mm) Globe/Check Valve
- Part No. 02411.X.5027 (H=370mm) Globe/Check Valve

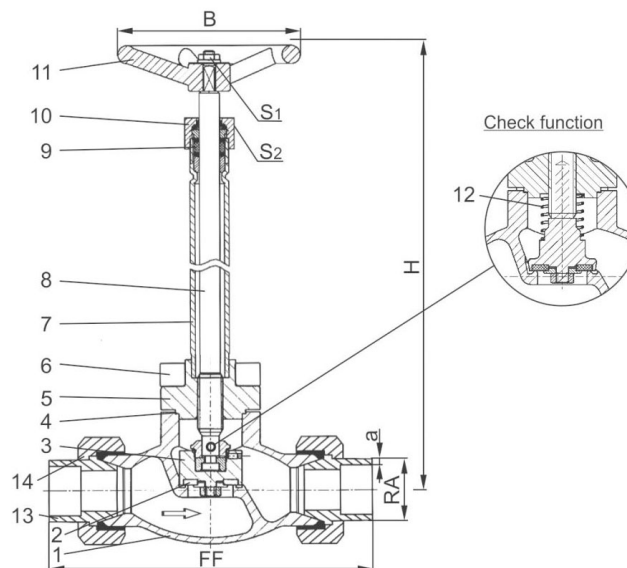
Completed with union type braze fittings for copper pipes
acc. to DIN EN 12449 or ASTM B88

РАБОТЕН ФЛУИД / СРЕДА

Approved for air gases, vapours and cryogenic liquefied
gases incl. LNG.

ОПЦИИ

- Extension H up to 900mm
- Valve with control disc (tapered design)



№	Materials	Din en	Astm
1	Body	CC491K	B 62 UNS C83600
2	Valve seal	PTFE / Carbon filled (25%)	
3	Disc	CW614N	B 283 UNS C38500
4	Bonnet gasket	PTFE	
5	Headpiece	CC493K	B 505 UNS C93200
6	Bolts	1.4301/A2	A 194 B8
7	Elongation tube	1.4541	A213 TP 321
8	Stem	1.4301	A 276 Grade 304
9	Gland packing	Graphite / PTFE	
10	Gland nut	CW614N	B 283 UNS C38500
11	Handwheel	Aluminium alloy	
12	Spring	CW452K	B 159 UNS C51900
13	Braze fitting	CC493K	B 505 UNS C93200
14	Union nut	CC493K	B 505 UNS C93200

GLOBE VALVE TYPE 02411 UNION CONNECTION WITH STAINLESS STEEL ENDS FOR SOLDERING

Материал bronze CC491K

Налягане PN 50

Размер DN 10 - 50

спецификация	
Тип 02411	Криогенен проходен вентил PN 50
Присъединителни краища	резбови за холендрова връзка
Строителна дължина	заводска нормала
Присъединяване капака	фланцево
Изпълнение	прав
Присъединяване	чрез холендрова връзка
Задвижване	многооборотно
Работна темп. [°C],	-196 °C до +120 °C
Препоръчителна темп. [°C],	-60°C до +120 °C

Type 02411 - standard design / technical data									
Nominal size	DN	10	10	20	20	32	32	40	50
Dimension code	.X.	1012	1015	1518	2022	2528	3235	4042	5054
Face-to-face dimension	FF	98	98	132	132	171	171	230	230
Height	H	270 mm or 370 mm							
Outside pipe-0	RA	12.0	15.0	18.0	22.0	28.0	35.0	42.0	54.0
Socket depth	b	11	11	14	14	17	17	17	17
Handwheel-0	B	100	100	100	100	125	125	125	125
Wrench size across flats	St	7	7	7	7	10	10	10	10
Wrench size across flats	S2	30	30	30	30	36	36	36	36
Weight	ca. kg	1.5	1.5	2.8	2.8	4.5	4.5	6.8	10.0
Kvs-Value	m ³ /h	1.6	2.2	6.0	6.7	11.5	12.1	22.6	37.1
Cv-Value	gal/min	1.9	2.6	7.1	7.8	13.4	14.1	26.3	43.2
Dimensions in mm.									