

GLOBE VALVE TYPE TYPE 01325 THREADED

Материал stainless steel 1.4308

Налягане PN 50

Размер DN 10 - 50

ТЕХНИЧЕСКО ОПИСАНИЕ

Type 01325 - Globe Valve
Cryogenic-Globe and Globe/Check Valves, PN50

Stainless steel body and bronze topwork

- "live loaded" gland packing
- cleaned and degreased for "oxygen service"

- Part No. 01325.X.0011 (H = 270mm)
- Part No. 01325.X.0021 (H = 370mm)
- Part No. 01325.X.5011 (H = 270mm) Globe/Check Valve
- Part No. 01325.X.5021 (H = 370mm) Globe/Check Valve

Female thread connection (G) acc. to ISO 228/1

- Part No. 01325.X.0016 (H = 270mm)
- Part No. 01325.X.0026 (H = 370mm)
- Part No. 01325.X.5016 (H = 270mm) Globe/Check Valve
- Part No. 01325.X.5026 (H = 370mm) Globe/Check Valve

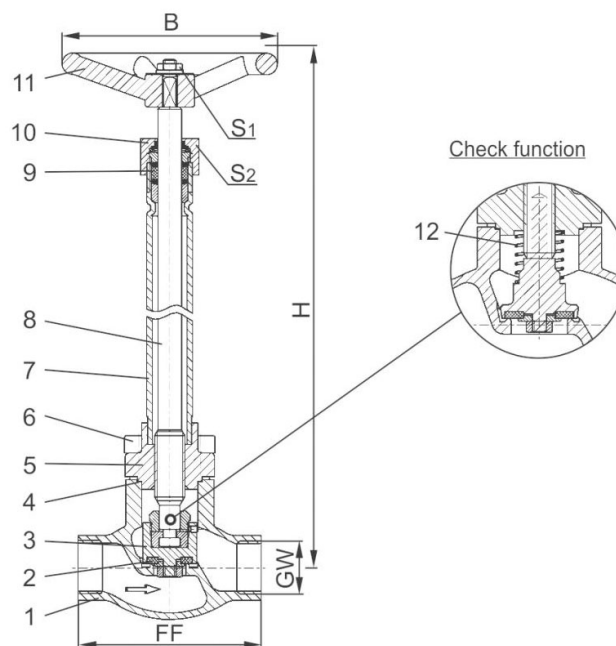
Female thread connection NPT acc. to ANSI B 1.20.1

ОПЦИИ

- Female thread connection (R) acc. to ISO 7-Rc
- Extension H up to 900mm
- Valve with control disc (tapered design)

РАБОТЕН ФЛУИД / СРЕДА

Approved for air gases, vapours and cryogenic liquefied gases incl. LNG.



GLOBE VALVE TYPE TYPE 01325 THREADED

Материал stainless steel 1.4308

Налягане PN 50

Размер DN 10 - 50

№	Materials	Din en	Astm
1	Body	1.4308	A 351 CF8
2	Valve seal	PTFE / Carbon filled (25%)	
3	Disc	CW614N	B 283 UNS C38500
4	Bonnet gasket	PTFE	
5	Headpiece	CC493K	B 505 UNS C93200
6	Bolts	1.4301/A2	A194B8
7	Elongation tube	1.4541	A 213 TP 321
8	Stem	1.4301	A 276 Grade 304
9	Gland packing	Graphite / PTFE	
10	Gland nut	CW614N	B 283 UNS C38500
11	Handwheel	Aluminium alloy	
12	Spring	CW452K	B 159 UNS C51900

Specifications	
Type 01325	Криогенен възвратен вентил PN 50
Connection standard	резбови
Face to face lenght	фабрична нормала
Cover connection	фланцево
Body type	Straight
Connection ends	резбово
Actuation	ръчно
Working temp. [°C]	-196°C / -321°F (77K)
	to +120°C / +248°F (393K)

Type 01325 - standard design / technical data									
Nominal size	DN	10	10	15	20	25	40	40	50
Thread size	GW	1/4	3/8	1/2	3/4	1	1-1/4	1-1/2	2
Dimension code	.X.	0200	0300	0400	0600	1000	1200	1400	2000
Face-to-face dimension	FF	70	70	85	100	115	130	130	155
Height	H	270mm or 370mm							
Handwheel-0	B	100	100	100	100	100	125	125	125

GLOBE VALVE TYPE TYPE 01325 THREADED

Материал stainless steel 1.4308

Налягане PN 50

Размер DN 10 - 50

Type 01325 - standard design / technical data									
Wrench size across flats	S1	7	7	7	7	7	10	10	10
Wrench size across flats	S2	30	30	30	30	30	36	36	36
Weight	ca. kg	1.4	1.4	1.7	2.1	2.4	4.7	4.7	7.2
Kvs-Value	m ³ /h	1.6	2.2	4.3	6.7	11.5	20.6	22.6	37.1
Cv-Value	gal/min	1.9	2.6	5.0	7.8	13.4	23.9	26.3	43.2
Dimensions in mm.									