

# GLOBE VALVE TYPE TYPE 01331 THREADED

Материал stainless steel 1.4308

Налягане PN 50

Размер DN 10 - 100

## ТЕХНИЧЕСКО ОПИСАНИЕ

Type 01331 - Globe Valve  
Cryogenic-Globe and Globe/Check Valves, PN50  
(DN150=PN40)

Stainless steel body and bronze topwork

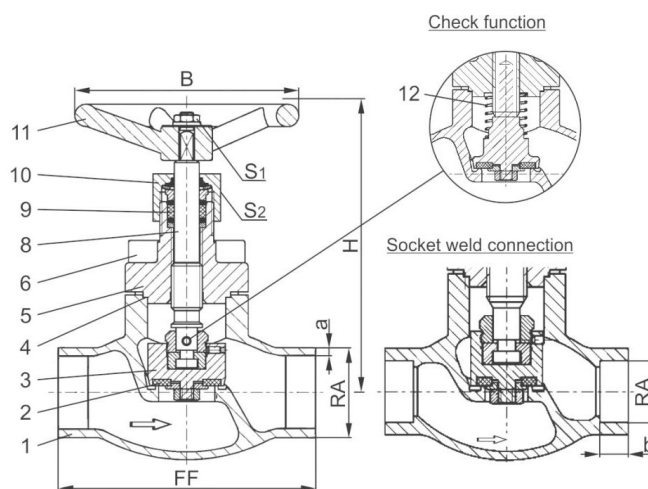
- live loaded gland packing
- cleaned and degreased for oxygen service

- Part No. 01331.X.000\*
- Part No. 01331.X.500\* Globe/Check Valve

\*Butt weld connection for stainless steel pipes acc. to ISO 1127 or ASTM A312

- Part No. 01331.X.0004
- Part No. 01331.X.5004 Globe/Check Valve

Socket weld connection for stainless steel pipes acc. to ISO 1127 or ASTM A312



## РАБОТЕН ФЛУИД / СРЕДА

Approved for air gases, vapours and cryogenic liquefied gases incl. LNG.

## ОПЦИИ

- Welded stainless steel stubs acc. to ISO 1127 or ASTM A312 - length FF + 200mm
- Valve with control disc (tapered design)
- Further pipe wall thicknesses

| №  | Materials             | Din en                     | Astm             |
|----|-----------------------|----------------------------|------------------|
| 1  | Body                  | 1.4308                     | A351CF8          |
| 2  | Valve seal up to DN50 | PTFE / Carbon filled (25%) |                  |
| 2a | Valve seal from DN65  | PTFE                       |                  |
| 3  | Disc                  | CW614N                     | B 283 UNS C38500 |
| 4  | Bonnet gasket         | PTFE                       |                  |
| 5  | Headpiece             | CC493K                     | B 505 UNS C93200 |
| 6  | Bolts                 | 1.4301/A2                  | A 194 B8         |
| 8  | Stem                  | 1.4301                     | A 276 Grade 304  |
| 9  | Gland packing         | Graphite / PTFE            |                  |
| 10 | Gland nut             | CW614N                     | B 283 UNS C38500 |
| 11 | Handwheel             | Aluminium alloy            |                  |
| 12 | Spring                | CW452K                     | B 159 UNS C51900 |

# GLOBE VALVE TYPE TYPE 01331 THREADED

Материал stainless steel 1.4308

Налягане PN 50

Размер DN 10 - 100

| Specifications                 |                                       |
|--------------------------------|---------------------------------------|
| Type 01331                     | вентил/възвр.вентил PN 50(DN150=PN40) |
| Connection standard            | за челан заварка                      |
| Face to face lenght            | строителна нормала                    |
| Cover connection               | фланцево                              |
| Body type                      | Straight                              |
| Connection ends                | на заварка                            |
| Actuation                      | ръчно                                 |
| Working temp. [°C]             | -196°C / -321°F (77K)                 |
|                                | +120°C / +248°F (393K)                |
| Recommended working temp. [°C] | -60°C / -76°F (213K)                  |
|                                | +120°C / +248°F (393K)                |

| Type 01331 - standard design / technical data |                   |                               |       |       |       |       |      |       |       |       |       |       |        |        |
|---|-------------------|-------------------------------|-------|-------|-------|-------|------|-------|-------|-------|-------|-------|--------|--------|
| Nominal size                                  | DN                | 10                            | 15    | 15    | 20    | 25    | 32   | 40    | 40    | 50    | 65    | 80    | 100    | 150    |
| Dimension code                                | X.                | 1012                          | 1517  | 1521  | 2026  | 2533  | 3238 | 4042  | 4048  | 5060  | 657x  | 8088  | 0114   | 0168   |
| Face-to-face dimension                        | FF                | 70                            | 85    | 85    | 100   | 115   | 115  | 130   | 130   | 155   | 205   | 245   | 280    | 400    |
| Height  | H                 | 140                           | 140   | 140   | 140   | 140   | 170  | 175   | 175   | 200   | 260   | 310   | 350    | 420    |
| O.D. pipe-Ø ISO 1127                          | RA                | 12.0                          | 17.2  | 21.3  | 26.9  | 33.7  | 38.0 | 42.4  | 48.3  | 60.3  | 76.1  | 88.9  | 114.3  | 168.3  |
| Wall thick. pipe ISO 1127                     | a                 | 1.0                           | 1.6   | 2.0   | 2.0   | 2.0   | 2.0  | 2.0   | 2.0   | 2.0   | 2.6   | 3.2   | 6.0    | 7.1    |
| O.D. pipe-Ø ASTM A312                         | RA                | 13.72                         | 17.15 | 21.34 | 26.67 | 33.40 | -    | 42.16 | 48.26 | 60.32 | 73.02 | 88.90 | 114.30 | 168.27 |
| Wall thick. pipe ASTM A312                    | a                 | dimensions acc. to S10 or S40 |       |       |       |       |      |       |       |       |       |       |        |        |
| Socket depth                                  | b                 | 6                             | 10    | 10    | 13    | 13    | -    | 13    | 13    | 16    | 16    | 16    | 20     | 20     |
| Handwheel-0                                   | B                 | 100                           | 100   | 100   | 100   | 100   | 125  | 125   | 125   | 125   | 200   | 250   | 315    | 360    |
| Wrench size across flats                      | S1                | 7                             | 7     | 7     | 7     | 7     | 10   | 10    | 10    | 10    | 10    | 10    | 12     | 15     |
| Wrench size across flats                      | S2                | 30                            | 30    | 30    | 30    | 30    | 36   | 36    | 36    | 36    | 36    | 36    | 41     | 41     |
| Weight  | ca. kg            | 1.0                           | 1.25  | 1.3   | 1.7   | 2.0   | 2.8  | 4.2   | 4.2   | 6.7   | 10.7  | 16.0  | 22.0   | 54.1   |
| Kvs-Value                                     | m <sup>3</sup> /h | 1.6                           | 3.8   | 4.3   | 6.7   | 11.5  | 14.0 | 20.6  | 22.6  | 37.1  | 71.1  | 104.0 | 170.0  | 350.0  |
| Cv-Value                                      | gal/min           | 1.9                           | 4.4   | 5.0   | 7.8   | 13.4  | 16.2 | 23.9  | 26.3  | 43.2  | 82.7  | 120.9 | 195.2  | 401.8  |

# GLOBE VALVE TYPE TYPE 01331 THREADED

Материал stainless steel 1.4308

Налягане PN 50

Размер DN 10 - 100

| <b>Type 01331 - standard design / technical data</b>   |
|--|
| Dimensions in mm. Compliance of tightness requirements acc. to EN 1626 for DN150 up to 20 bar differential pressure. In the range of >20-40 bar, |
| 350-700ml (1 bar, 20°C [68°F]) are reached.  |