

# GLOBE VALVE TYPE TYPE 01351 BUTT WELD ENDS

Материал stainless steel 1.4308

Налягане PN 50

Размер DN 10 - 150

## ТЕХНИЧЕСКО ОПИСАНИЕ

Type 01351 - Globe Valve

Cryogenic-Globe and Globe/Check Valves, PN50  
(DN150=PN40)

Stainless steel body and topwork,

- "live loaded gland packing"
- "cleaned and degreased for oxygen service"

- Part No. 01351.X.000\*
- Part No. 01351.X.500\* Globe/Check Valve

\*Butt weld connection for stainless steel pipes acc. to ISO 1127 or ASTM A312

- Part No. 01351.X.0004
- Part No. 01351.X.5004 Globe/Check Valve

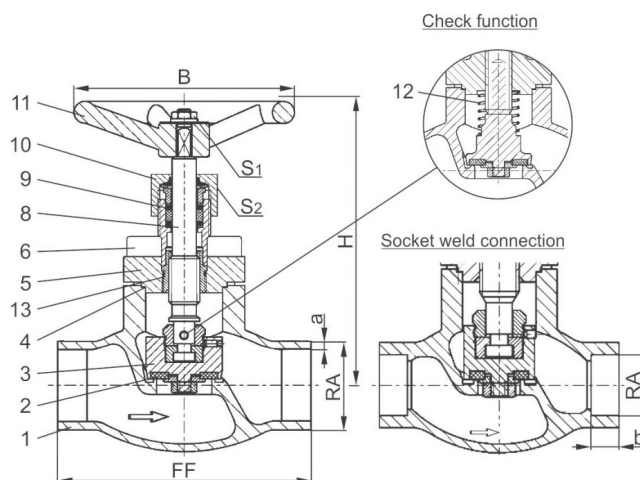
Socket weld connection for stainless steel pipes acc. to ISO 1127 or ASTM A312

## РАБОТЕН ФЛУИД / СРЕДА

Approved for air gases, vapours and cryogenic liquefied gases incl. LNG.

## ОПЦИИ

- Welded stainless steel stubs acc. to ISO 1127 or ASTM A312 - length FF + 200mm
- Valve with control disc (tapered design)
- Further pipe wall thicknesses



# GLOBE VALVE TYPE TYPE 01351 BUTT WELD ENDS

Материал stainless steel 1.4308  
 Налягане PN 50  
 Размер DN 10 - 150

№	Materials	Din en	Astm
1	Body	1.4308	A 351 CF8
2	Valve seal up to DN50	PTFE / Carbon filled (25%)	
2a	Valve seal from DN65	PTFE	
3	Disc	1.4301	A 276 Grade 304
4	Bonnet gasket	PTFE	
5	Headpiece	1.4301 / 1.4308	A 276 Grade 304 / A 351 CF8
6	Bolts	1.4301/A2	A 194 B8
8	Stem	1.4301	A 276 Grade 304
9	Gland packing	Graphite / PTFE	
10	Gland nut	1.4305	A 276 Grade 303
11	Handwheel	Aluminium alloy	
12	Spring	1.4310	A 313 Grade 301
13	Bush	CW452K	B 159 UNS C51900

Specifications	
Type 05418	Криогенен вентил PN 50
Connection standard	фланцеви DIN
Face to face lenght	заводска нормала
Cover connection	фланцево
Body type	Straight
Connection ends	на фланци
Actuation	самостоятелно
Working temp. [°C]	-196°C / -321°F (77K)
	to +120°C / +248°F (393K)

Type 01351 - standard design / technical data														
Nominal size	DN	10	15	15	20	25	32	40	40	50	65	80	100	150
Dimension code	X.	1012	1517	1521	2026	2533	3238	4042	4048	5060	657x	8088	0114	0168
Face-to-face dimension	FF	70	85	85	100	115	115	130	130	155	205	245	280	400
Height	H	140	140	140	140	140	170	175	175	200	260	310	350	420

# GLOBE VALVE TYPE TYPE 01351 BUTT WELD ENDS

Материал stainless steel 1.4308

Налягане PN 50

Размер DN 10 - 150

Type 01351 - standard design / technical data														
Outside pipe-Ø ISO 1127	RA	12.0	17.2	21.3	26.9	33.7	38.0	42.4	48.3	60.3	76.1	88.9	114.3	168.3
Wall thickness pipe ISO 1127	a	1.0	1.6	2.0	2.0	2.0	2.0	2.0	2.0	2.0	2.6	3.2	6.0	7.1
Outside pipe-Ø ASTM A312	RA	13.72	17.15	21.34	26.67	33.40	-	42.16	48.26	60.32	73.02	88.9	114.3	168.27
Wall thickness pipe ASTM A312	a	dimensions acc. to S10 or S40												
Socket depth	b	6	10	10	13	13	-	13	13	16	16	16	20	20
Handwheel-Ø	B	100	100	100	100	100	125	125	125	125	200	250	315	360
Wrench size across flats	S1	7	7	7	7	7	10	10	10	10	10	10	12	15
Wrench size across flats	S2	30	30	30	30	30	36	36	36	36	36	36	41	41
Weight	ca. kg	1.0	1.25	1.3	1.7	2.0	2.8	4.2	4.2	6.7	10.7	16.0	23.0	54.1
Kvs-Value	m <sup>3</sup> /h	1.6	3.8	4.3	6.7	11.5	14.0	20.6	22.6	37.1	71.1	104.0	170.0	350.0
Cv-Value	gal/min	1.9	4.4	5.0	7.8	13.4	16.2	23.9	26.3	43.2	82.7	120.9	195.2	401.8
Dimensions in mm. Compliance of tightness requirements acc. to EN 1626 for DN150 up to 20 bar differential pressure. In the range of >20-40 bar,														
350-700ml (1 bar, 20°C [68°F]) are reached.														