

GLOBE VALVE TYPE TYPE 01355 THREADED

Материал stainless steel 1.4308

Налягане PN 50

Размер G1/4" - 2"

ТЕХНИЧЕСКО ОПИСАНИЕ

Type 01355 - Globe Valve

Cryogenic-Globe and Globe/Check Valves, PN50
Stainless steel body and topwork,

- "live loaded" gland packing
- "cleaned and degreased for oxygen service"

- Part No. 01355.X.0001
- Part No. 01355.X.5001 Globe/Check Valve

Female thread connection (G) acc. to ISO 228/1

- Part No. 01355.X.0006
- Part No. 01355.X.5006 Globe/Check Valve

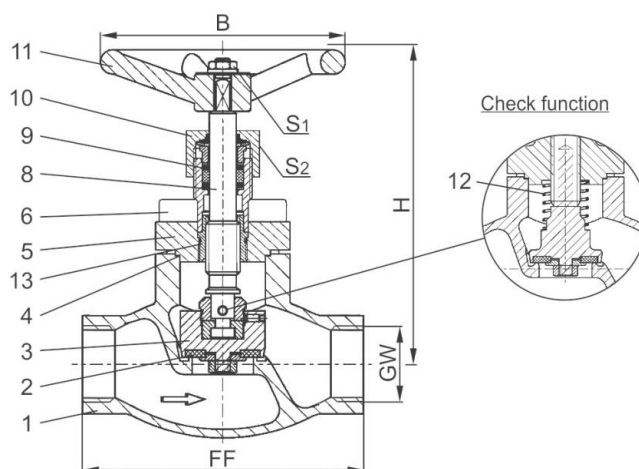
Female thread connection NPT acc. to ANSI B 1.20.1

РАБОТЕН ФЛУИД / СРЕДА

Approved for air gases, vapours and cryogenic liquefied gases incl. LNG.

ОПЦИИ

- Female thread connection (R) acc. to ISO 7-Rc
- Valve with control disc (tapered design)



№	Materials	Din en	Astm
1	Body	1.4308	A 351 CF8
2	Valve seal	PTFE / Carbon filled (25%)	
3	Disc	1.4301	A 276 Grade 304
4	Bonnet gasket	PTFE	
5	Headpiece	1.4301 / 1.4308	A 276 Grade 304 / A 351 CF8
6	Bolts	1.4301/A2	A 194 B8
8	Stem	1.4301	A 276 Grade 304
9	Gland packing	Graphite / PTFE	
10	Gland nut	1.4305	A 276 Grade 303
11	Handwheel	Aluminium alloy	
12	Spring	1.4310	A 313 Grade 301
13	Bush	CW452K	B 159 UNS C51900

GLOBE VALVE TYPE TYPE 01355 THREADED

Материал stainless steel 1.4308

Налягане PN 50

Размер G1/4" - 2"

Specifications	
Type 01355	Криогенен вентил PN 50
Connection standard	резбови acc. to ISO 228/1
Female thread connection NPT acc. to ANSI B 1.20.1	
Face to face lenght	заводска нормала
Cover connection	фланцево
Body type	Straight
Connection ends	на фланци
Actuation	самостоятелно
Working temp. [°C]	-196°C / -321°F (77K)
	to +120°C / +248°F (393K)

Type 01355 - standard design / technical data									
Nominal size	DN	10	10	15	20	25	40	40	50
Thread size	GW	1/4	3/8	1/2	3/4	1	1-1/4	1-1/2	2
Dimension code	.X.	0200	0300	0400	0600	1000	1200	1400	2000
Face-to-face dimension	FF	70	70	85	100	115	130	130	155
Height	H	140	140	140	140	140	175	175	200
Handwheel-Ø	B	100	100	100	100	100	125	125	125
Wrench size across flats	S1	7	7	7	7	7	10	10	10
Wrench size across flats	S2	30	30	30	30	30	36	36	36
Weight	ca. kg	1.0	1.0	1.3	1.7	2.0	4.2	4.2	6.7
Kvs-Value	m ³ /h	1.6	2.2	4.3	6.7	11.5	20.6	22.6	37.1
Cv-Value	gal/min	1.9	2.6	5.0	7.8	13.4	23.9	26.3	43.2
Dimensions in mm.									