

# GLOBE VALVES BRONZE ANGLE FLANGED WITH BOLTED BONNET DIN 3202 F32, PN 16

Материал bronze CC491K; DIN RG5

Налягане PN 16

Размер DN 15 - 150

## DESCRIPTION

Globe valve angle type, flanged connection with shut off, regulating or screw down non return (SDNR) function. A shorter version of our angle, rising stem globe valve with bolted bonnet and metal sealing. For warm seawater it is recommended to use a stem of zinc free bronze, CuSn6.

## MEDIA

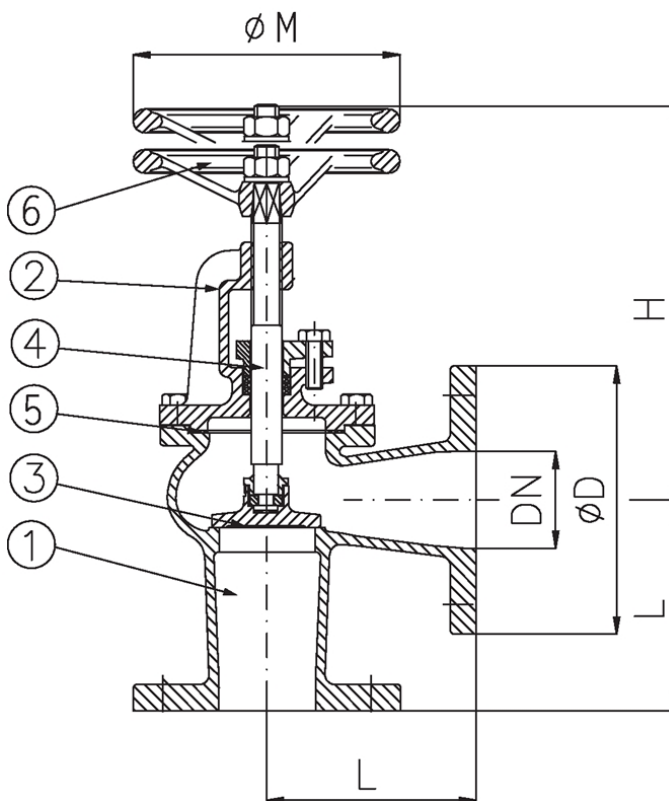
- Steam. Fuel oil, lubricating oil and flammable hydraulic oil. Cargo oil. Non-flammable hydraulic fluid. Boiler feedwater, condensate.  
- Seawater and freshwater.

## VARIANTS

- Regulating disc.  
- Stainless steel trim.

## OPTIONS

- Spring for SDNR. With indicator.



No.	Part	Material	Specifications	
1	Body	Bronze CC491K (RG5)	Standart:	DIN 3202 F1
2	Bonnet	Bronze CC491K (RG5)	Flange standard:	EN1092-3
3	Disk	DN 15-80 Brass CW710R (SoMs59)	Face to face:	EN558, Series 1
3	Disk	DN 80 - 150 Bronze CC491K (RG5)	Bonnet connection:	Screwed, Secured
4	Stem	Special brass CW710R (SoMs59)	Execution:	Angle
5	Bonnet Sealing	NBR bonded aramid	Connection type:	Flanged
6	Handwheel:	DN 15-80 Steel plate	Operation:	Handwheel
6.1	Handwheel	DN 100-150 Cast Iron	Actuation:	Multiturn
			T°max	Temp. up to 225°C
				Steam up to 180°C

Dn	Pressure rating	Connection	L	D	P	N x d	H	M	Weight (kg)
15	16	16	65	95	65	4 x 14	135	80	2,2
20	16	16	70	105	75	4 x 14	140	80	3
25	16	16	75	115	85	4 x 14	155	80	3,7

**GLOBE VALVES BRONZE ANGLE FLANGED  
WITH BOLTED BONNET DIN 3202 F32, PN 16**

Материал bronze CC491K; DIN RG5

Налягане PN 16

Размер DN 15 - 150

Dn	Pressure rating	Connection	L	D	P	N x d	H	M	Weight (kg)
32	16	16	90	140	100	4 x 18	160	100	5
40	16	16	95	150	110	4 x 18	180	120	7
50	16	16	105	165	125	4 x 18	190	120	8,8
65	16	16	115	185	145	4 x 18	210	160	13
80	16	16	125	200	160	8 x 18	230	160	17
100	16	16	140	220	180	8 x 18	280	250	24
125	16	16	175	250	210	8 x 18	315	250	35
150	16	16	200	285	240	8 x 22	340	250	51