

GLOBE VALVES BRONZE THREADED ANGLE DIN 3202 F32, PN 16

Материал bronze CC491K; DIN RG5

Налягане PN 16

Размер 1/2" - 3"

DESCRIPTION

Globe valve angled type, threaded connection with shut off or screw down non return (SDNR) function. Angled, rising stem type with female threaded ends, screwed and secured bonnet as well as metal sealing. For warm sea water it is recommended to use a stem of zinc free bronze, CuSn6.

MEDIA

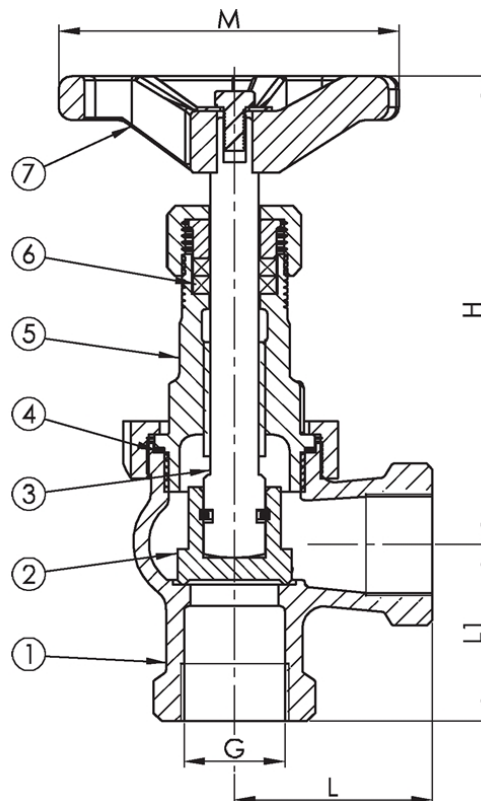
- Steam. Fuel oil, lubricating oil and flammable hydraulic oil. Boiler feedwater, condensate.
- Seawater and freshwater.

VARIANTS

- CuSn6 stem.

OPTIONS

- Spring for SDNR function



No.	Part	Size	Material	Specifications	
1	Body		Bronze CC491K (RG5)	Standart:	DIN 3202 F1
2	Disc	DN 8-50	Bronze CC493K (RG7)	Connection type:	Thread
2	Disc	DN 65-80	Bronze CC491K (RG5)	Face to face standard:	EN558, Series 1
3	Stem		Brass CW710R (SoMs59)	Bonnet connection:	Screwed, Secured
4	Gasket		PTFE	Execution:	Angle
5	Bonnet	DN 8-32	Bronze CC493K (RG7)	Connection type:	Flanged
5	Bonnet	DN 40-80	Bronze CC491K (RG5)	Operation:	Handwheel
6	Gland		Brass CW614N (Ms58)	Actuation:	Multiturn
7	Handwheel		Cast iron EN-JL1040 (GG25)	Tmax: [°C]	Temp. up to 225°C
					Steam up to 180°C

Dn	Pressure rating	Connection	L	H	M	Weight (kg)
8	16	G 1/4"	35	86	60	0,4
10	16	G 3/8"	35	86	60	0,5
15	16	G 1/2"	40	86	60	0,5

**GLOBE VALVES BRONZE THREADED ANGLE
DIN 3202 F32, PN 16**

Материал bronze CC491K; DIN RG5

Налягане PN 16

Размер 1/2" - 3"

Dn	Pressure rating	Connection	L	H	M	Weight (kg)
20	16	G 3/4"	45	100	80	0,7
25	16	G 1"	50	105	80	1,2
32	16	G 1 1/4"	55	120	90	1,6
40	16	G 1 1/2"	65	135	100	2
50	16	G 2"	75	150	120	3,5
65	16	G 2 1/2"	90	230	160	7,6
80	16	G 3"	110	250	200	12