

GLOBE VALVES BRONZE THREADED STRAIGHT DIN 3202 F1, PN 16

Материал bronze CC491K; DIN RG5

Налягане PN 16

Размер 1/2" - 2"

DESCRIPTION

Globe valve with shut off or screw down non return (SDNR) function. Straight, rising stem type with female threaded ends, screwed and secured bonnet as well as PTFE sealing. For warm seawater it is recommended to use a stem of zinc free bronze, CuSn6Globe valve straight type, threaded connection

MEDIA

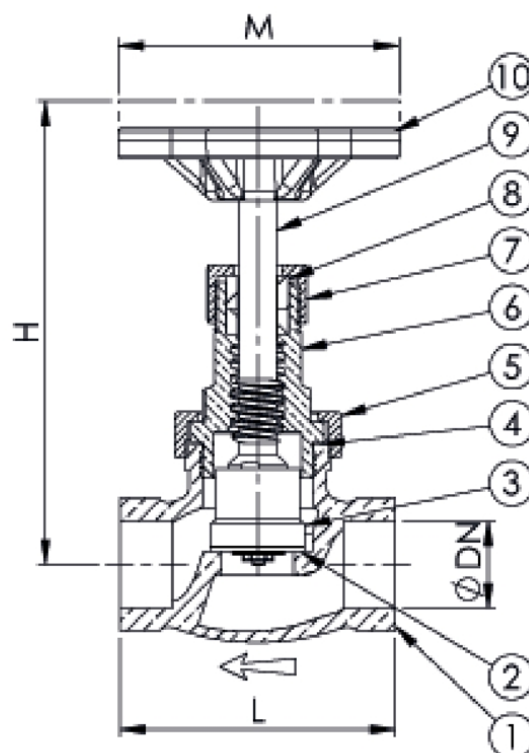
- Steam. Fuel oil, lubricating oil and flammable hydraulic oil. Boiler feedwater, condensate.
- Seawater and freshwater.

VARIANTS

- CuSn6 stem.

OPTIONS

- Spring for SDNR function



No.	Part	Material	Specifications	
1	Body	Bronze CC491K (RG5)	Standart:	DIN 3202 F1
2	Sealing	PTFE	Connection type:	Thread
3	Disc	Bronze CC491K (RG5)	Face to face standard:	EN558, Series 1
4	Sealing	PTFE	Bonnet connection:	Screwed, Secured
5	Locking nut	Bronze CC491K (RG5)	Execution:	Straight
6	Bonnet	Bronze CC491K (RG5)	Connection type:	Flanged
7	Gland	Brass CW614N (Ms58)	Operation:	Handwheel
8	Gland nut	Brass CW614N (Ms58)	Actuation:	Multiturn
9	Stem	Brass CW710R (SoMs59)	Tmax: [°C]	Temp. up to 225°C
10	Handwheel	Cast Iron EN-JL1040 (GG25)		Steam up to 180°C

Dn	Pressure rating	Connection bsp	L	D	P	M	Weight (kg)
15	16	G 1/2"	75	95	65	60	0,5
20	16	G 3/4"	90	105	75	80	0,9
25	16	G 1"	105	115	85	80	1,3

**GLOBE VALVES BRONZE THREADED
STRAIGHT DIN 3202 F1, PN 16**

Материал bronze CC491K; DIN RG5

Налягане PN 16

Размер 1/2" - 2"

Dn	Pressure rating	Connection bsp	L	D	P	M	Weight (kg)
32	16	G 1 1/4"	115	140	100	90	1,8
40	16	G 1 1/2"	130	150	110	100	2,5
50	16	G 2"	160	165	125	120	4,1