

INTERNAL REDUCER / NIPPLE ISO 7-1

EN10241 tabl. 15

Материал steel P265GH , A234WPB

Налягане 25 Bar

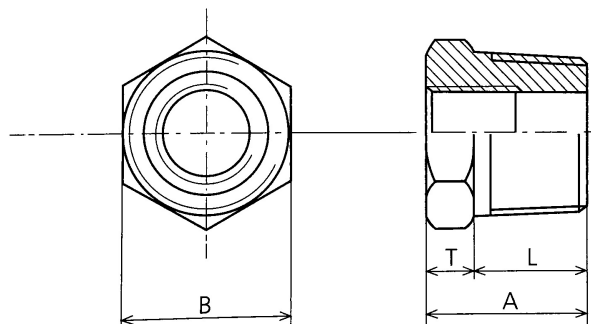
Размер G 3/8" - 1 1/2"

APPLICATIONS

Nipple is a connecting piece that enables connection of equal diameters threaded pipes. It connects two pipes of the same or different diameters.

VARIANTS

Other materials: Ferritic and Austenitic steels



No.	Part	Material
1	Nipple	P265GH, A234 gr.WPB

Specifications	
Standart:	EN10241
Thread type:	ISO 7-1
Pressure Rating:	25 Bar

Dn	Dim.	L	T	A	B
	3/8" x 1/8"	12,5	8	20,5	17
10 x 8	3/8" x 1/4"	12,5	8	20,5	17
15 x 8	1/2" x 1/4"	17,5	8	25,5	22
15 x 10	1/2" x 3/8"	17,5	8	25,5	22
20 x 8	3/4" x 1/4"	19,0	10	29,0	27
20x 10	3/4" x 3/8"	19,0	10	29,0	27
20 x 8	3/4" x 1/2"	19,0	10	29,0	27
20 x 8	1" x 3/8"	21,0	10	31,0	36
25 x 15	1" x 1/2"	21,0	10	31,0	36
25 x 8	1" x 3/4"	21,0	10	31,0	36
32 x 15	1 1/4" x 1/2"	24,0	11	35,0	46
32 x 20	1 1/4" x 3/4"	24,0	11	35,0	46
32 x 25	1 1/4" x 1"	24,0	11	35,0	46
40 x 15	1 1/2" x 1/2"	24,0	13	37,0	50
40 x 20	1 1/2" x 3/4"	24,0	13	37,0	50

INTERNAL REDUCER / NIPPLE ISO 7-1
EN10241 tabl. 15

Материал steel P265GH , A234WPB

Налягане 25 Bar

Размер G 3/8" - 1 1/2"

Dn	Dim.	L	T	A	B
40 x 25	1 1/2" x 1"	24,0	13	37,0	50
40 x 32	1 1/2" x 1 1/4"	24,0	13	37,0	50
50 x 25	2" x 1"	27,0	14	41,0	65
50 x 32	2" x 1 1/4"	27,0	14	41,0	65
50 x 40	2" x 1 1/2"	27,0	14	41,0	65