

# NODULAR IRON CHECK VALVE DIN PN 10

Материал ковък чугун EN-JL1030; DIN GGG40  
 Налягане PN 10  
 Размер DN 200 - 300

## DESCRIPTION

Swing check valve with soft disc sealing, flanged connection and bolted cover.  
 Also for installation in vertical pipelines.  
 Upwards flow only.

## MEDIA

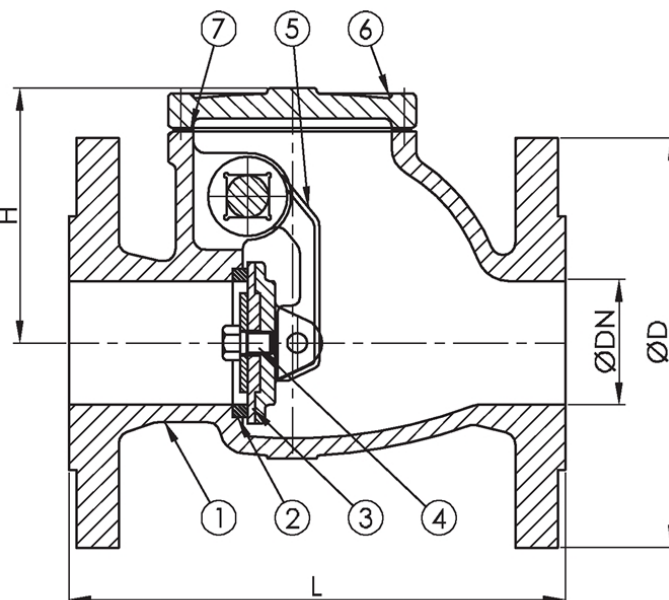
- Steam. Fuel oil, lubricating oil and flammable hydraulic oil. Cargo oil.  
 - Non-flammable hydraulic fluid. Boiler feedwater, condensate. Seawater and freshwater.

## VARIANTS

Other materials on request

## OPTIONS

N/A



No.	Part	Material
1	Body	Ductile iron EN-JS1025 (GGG40.3)
2	Body seat	Stainless steel 1.4301 (AISI304)
3	Disc sealing	NBR
4	Stem	Stainless steel 1.4021 (AISI420)
5	Disc, hinge arm	Ductile iron EN-JS1025 (GGG40.3)
6	Cover	Ductile iron EN-JS1025 (GGG40.3)
7	Bonnet gasket	NBR bonded aramid

## Specifications

Standart:	DIN 3202 F1
Flange standard:	EN1092-2
Face to face standard:	EN558, Series 1
Bonnet connection:	Bolted
Execution:	Straight

# NODULAR IRON CHECK VALVE DIN PN 10

Материал ковък чугун EN-JL1030; DIN GGG40  
 Налягане PN 10  
 Размер DN 200 - 300

Specifications	
Connection type:	Flanged
Operation:	Non-return valve
Actuation:	Self Return
Tmax : [°C]	120 °C

Max. working pressure (bar) at °c		
Dn	Connection	-10°c to +120°c
32 - 150	PN 16	16
200 - 300	PN 10	10

Dn	Pressure rating	Connection	L	D	P	N x d	H	Weight (kg)
200	10	10	500	335	295	8 x 23	158	120
250	10	10	600	390	350	12 x 23	297	172
300	10	10	700	440	400	12 x 23	360	295