

NON-RETURN GLOBE VALVE WITH SPRING DIN PN 40

Материал stainless steel 1.4408; AISI 316

Налягане PN 40

Размер DN 20 - 150

DESCRIPTIONS

Check valve with metal sealing, flanged connection and bolted cover.

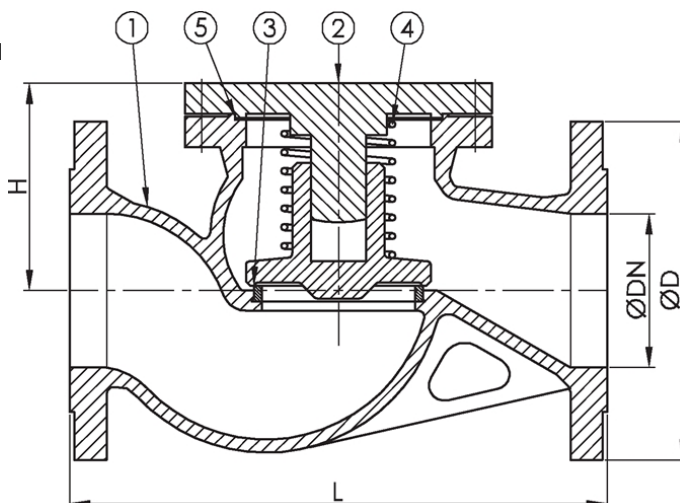
MEDIA

- Steam. Thermal oil. Fuel oil, lubricating oil and flammable hydraulic oil. Cargo oil.

- Boiler feedwater, condensate. Seawater and freshwater.

VARIANTS

Other materials on request



No.	Part	Material	Specifications	
1	Body	Cast steel 1.0619 (WCB)	Standart:	DIN 3202 F1
2	Bonnet	Cast steel 1.0619 (WCB)	Flange standard:	EN1092-2
3	Seat	Stainless steel 1.4301 (AISI304)	Face to face standard:	EN558, Series 1
4	Spring	Stainless steel 1.4310 (AISI301)	Bonnet connection:	Bolted
5	Bonnet gasket	Graphite	Execution:	Straight
			Connection type:	Flanged
			Operation:	Non-return valve
			Actuation:	Spring Return
			Tmax	180 °C

Dn	Pressure rating	Connection	L	D	P	N x d	H	Weight (kg)
20	40	40	150	105	75	4 x 14	70	4
25	40	40	160	115	85	4 x 14	75	4,5
32	40	40	180	140	100	4 x 18	80	5,5
40	40	40	200	150	110	4 x 18	90	7,5

NON-RETURN GLOBE VALVE WITH SPRING DIN PN 40

Материал stainless steel 1.4408; AISI 316

Налягане PN 40

Размер DN 20 - 150

Dn	Pressure rating	Connection	L	D	P	N x d	H	Weight (kg)
50	40	40	230	165	125	4 x 18	100	11
65	40	40	290	185	145	4 x 18	110	17
80	40	40	310	200	160	8 x 18	130	24
100	40	40	350	220	180	8 x 18	150	34
125	40	40	400	250	210	8 x 18	170	52
150	40	40	480	285	240	8 x 22	190	88