

OVERBOARD GLOBE VALVE NODULAR IRON ANGLE WITH SPRING DIN PN 16

Материал nodular iron EN-JS1025; DIN
GGG40.3
Налягане PN 10-16
Размер DN 15 - 200

APPLICATIONS

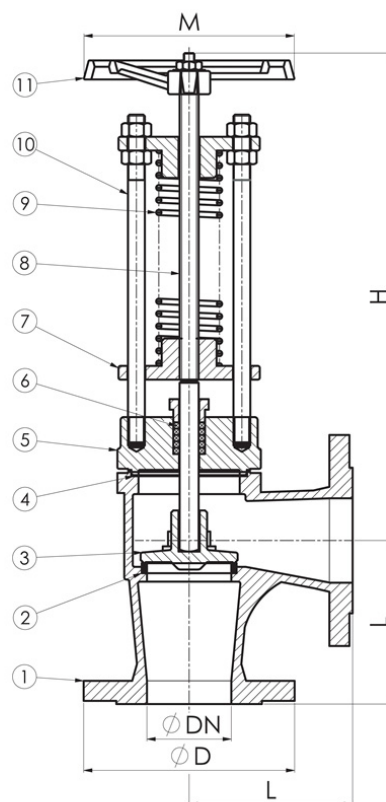
Overboard valve is a spring loaded globe valve used mainly for discharge of water. Keeps the system pressurized and minimizes "cavitation. Adjustable pressure 0,1 -0,5 bar. For discharge below" water line use valve with SDNR disc. Metal sealing. Rising stem.

MEDIA

"Seawater, freshwater"

VARIANTS AND ADVANTAGES

Body pattern - Straight / Angle
SDNR - Screw down non-return valve



No.	Parts	Material
1	Body	Ductile iron EN-JS1025 (GGG40.3)
2	Seat	Bronze CC491K (RG5)
3	Disc / DN 15-65	Bronze CC491K (RG5)
3	Disc / DN 80-300	Ductile iron EN-JS1025 (GGG40.3)
4	Bonnet gasket	Graphite
5	Bonnet	Ductile iron EN-JS1025 (GGG40.3)
6	Gland packing	Graphite
7	Bridge	Ductile iron EN-JS1025 (GGG40.3)
8	Columns	Stainless steel 1.4021 (AISI420)
9	Stem	Special brass CW710R (SoMs59)
10	Spring	Spring steel SH
11	Handwheel	Cast iron EN-JL1040 (GG25)

OVERBOARD GLOBE VALVE NODULAR IRON ANGLE WITH SPRING DIN PN 16

Материал nodular iron EN-JS1025; DIN
GGG40.3
Налягане PN 10-16
Размер DN 15 - 200

Specifications	
Standart:	DIN
Flange standard:	EN 1092-2
Face to face standard:	EN558-Series 1
Bonnet connection:	Bolted
Execution:	Angle
Connection type:	Flanged
Operation:	Handwheel
Actuation:	Multiturn / Spring force
DN15-125 / Tmax at 10 Bars	180 °C
DN15-125 / Tmax at 16 Bars	120 °C
DN150-200 / Tmax at 6 Bars	180 °C
DN150-200 / Tmax at 10 Bars	120 °C

Dn	Pressure rating	Connection	L	D	H	M	Weight (kg)
15	PN 16	PN 16	90	95	245	120	4
20	PN 16	PN 16	95	105	245	120	4.2
25	PN 16	PN 16	100	115	253	140	5
32	PN 16	PN 16	105	140	274	140	7
40	PN 16	PN 16	115	150	346	160	10
50	PN 16	PN 16	125	165	360	160	13
65	PN 16	PN 16	145	185	381	180	17
80	PN 16	PN 16	155	200	462	200	23
100	PN 16	PN 16	175	220	500	225	35
125	PN 16	PN 16	200	250	565	250	55
150	PN 10	PN 10	225	285	684	300	72
200	PN 10	PN 10	275	340	715	400	112